

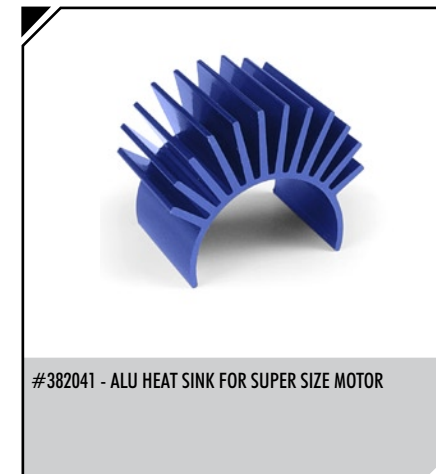
NUMBER	PRODUCT DESCRIPTION	QUANTITY
37 6130	COMPOSITE LiPo BATTERY BACKSTOP (2)	
381155-K	M18 PRO LiPo GRAPHITE SET - BLACK	
38 1200	LOWER FRONT BUMPER	
38 1213	M18 UPPER HOLDER FOR BUMPER - GRAPHITE	
38 1225	FOAM BUMPER - BLACK	
38 1300	COMPOSITE BODY POSTS (4) + BODY CLIPS	
38 2023	ALU MOTOR HOLDER M18 PRO - 7075 T6 (5MM)	
38 2101	SET OF SUSPENSION ARMS, LOWER + UPPER (2+1+1) - HARD	
38 2107	SET OF SUSPENSION ARMS 6° CASTER - HARD (2)	
38 2200	COMPOSITE SUSPENSION BLOCK (2)	
38 2500	MICRO SERVO SAVER	
38 2610	ADJUSTABLE TURNBUCKLE 37MM	
38 3200	SET OF LINKAGES + BALL JOINTS	
38 3220	SET OF REAR LINKAGES 2.5° TOE-IN (2)	
38 3300	ADJ. TURNBUCKLE SET FOR TOE-IN ADJUSTMENT	
38 5002	COMPOSITE ADJUSTABLE BALL DIFFERENTIAL	
38 5035	BEVELED DIFF. GEAR FOR BALL DIFF.	
38 5060	GEARBOX CASE	
38 5095	BALL DIFF D - WASHER (2)	
38 5202	COMPOSITE DRIVE SHAFT FOR HEX ADAPTER - SET (2)	
38 5262	ALU WHEEL NUT (2)	
38 5512	ALU MAIN DRIVESHAFT M18, M18PRO	
38 5531	MAIN DRIVESHAFT PINION GEAR & COLLAR M18T	
38 5700	COMPOSITE PINION SET (17,19,21,23)	
38 5701	COMPOSITE PINION SET (13,14,15,16)	
38 5736	SPUR GEAR 36T / 48	
38 5742	SPUR GEAR „H“ 42T / 48	
38 6110	COMPOSITE BATTERY HOLDER SET	
38 6151	ALU LiPo BATTERY STRAP POST (2)	
38 6200	COMPOSITE SERVO MOUNT+ ANTENNA HOLDER - SET	
38 6205	COMPOSITE SHIM FOR SERVO (2)	
38 6310	ANTENNA	
38 7400	SET OF COMPOSITE PIVOT BALLS	
38 8000	COMPOSITE SHOCK BODY SET (4)	
38 9000	BALL-BEARING SET FOR M18, M18T, M18MT, NT18, NT18T (16)	
38 9300	MOUNTING HARDWARE PACKAGE FOR M18 - SET	
38 9400	MICRO BODY CLIP (10)	
38 9541	REAR FOAM TIRE MOUNTED WITH HEX HUB (35DEG) - SOFT	
38 9543	REAR FOAM TIRE MOUNTED WITH HEX HUB (40DEG) - MEDIUM	
38 9544	FRONT FOAM TIRE MOUNTED WITH HEX HUB (45DEG) - MEDIUM	
38 9546	FRONT FOAM TIRE MOUNTED WITH HEX HUB (50DEG) - HARD	
38 9706	MICRO BODY 1/18 TOURING - 150MM	
90 1260	HEX SCREW SB M2.5x10 (10)	
90 1303	HEX SCREW SB M3x3 (10)	
90 1304	HEX SCREW SB M3x4 (10)	
90 5206	SCREW PHILLIPS 2.2x6 (10)	
90 5208	SCREW PHILLIPS 2.2x8 (10)	
90 5210	SCREW PHILLIPS 2.2x10 (10)	
90 5214	SCREW PHILLIPS 2.2x14 (10)	
90 5258	SCREW PHILLIPS 2.5x8 (10)	
90 5262	SCREW PHILLIPS 2.5x12 (10)	
90 6256	SCREW PHILLIPS FH 2.5x6 (10)	
90 6258	SCREW PHILLIPS FH 2.5x8 (10)	
90 6262	SCREW PHILLIPS FH 2.5x12 (10)	
90 7238	SCREW PHILLIPS M2.3x8 (10)	
90 7270	SCREW PHILLIPS M2.5x20 (10)	
90 7305	SCREW PHILLIPS M3x5 (10)	
91 0256	SCREW PHILLIPS M 2.5x6 (10)	
91 0258	SCREW PHILLIPS M 2.5x8 (10)	

NUMBER	PRODUCT DESCRIPTION	QUANTITY
91 0305	SCREW PHILLIPS M3x5 (10)	
93 0020	BALL STEEL 2.4MM (24)	
93 0025	BALL-BEARING AXIAL 2.5x5.4x0.8	
93 0407	BALL-BEARING 4x7x2.5 (2)	
93 0610	BALL-BEARING 6x10x3 (2)	
93 0812	BALL-BEARING 8x12x3.5 (2)	
96 0025	NUT M2.5 (10)	
97 0040	O-RING 4x1 (10)	
97 1030	SILICONE O-RING 3x1.5 (10)	
98 1208	PIN 2x8 (10)	

OPTION PARTS

NUMBER	PRODUCT DESCRIPTION	QUANTITY
38 1155	M18 PRO LiPo GRAPHITE SET - SILVER	
381155-B	M18 PRO LiPo GRAPHITE SET - BLUE	
38 1221	FOAM BUMPER - BLUE	
38 2041	ALU HEAT SINK FOR SUPER SIZE MOTOR	
38 2100	SET OF SUSPENSION ARMS, LOWER + UPPER (2+1+1)	
38 2106	SET OF SUSPENSION ARMS 6° CASTER (2)	
38 2252	ALU SUSPENSION BLOCK LEFT	
38 2262	ALU SUSPENSION BLOCK RIGHT	
38 5001	ALU ADJ. BALL DIFFERENTIAL - HARD COATED - SET	
38 5101	FRONT ONE-WAY DIFFERENTIAL - SET - BLUE	
38 5203	ALU DRIVE SHAFT FOR HEX ADAPTER - SET (2)	
38 5253	M18 PRO ALU WHEEL AXLE - OFFSET „+1.0MM“ (2)	
38 5254	M18 PRO ALU WHEEL AXLE - OFFSET „+2.0MM“ (2)	
38 5511	GRAPHITE MAIN DRIVESHAFT M18, M18PRO	
38 5612	STEEL PINION GEAR 12T / 48	
38 5613	STEEL PINION GEAR 13T / 48	
38 5614	STEEL PINION GEAR 14T / 48	
38 5615	STEEL PINION GEAR 15T / 48	
38 5616	STEEL PINION GEAR 16T / 48	
38 5617	STEEL PINION GEAR 17T / 48	
38 5619	STEEL PINION GEAR 19T / 48	
38 5621	STEEL PINION GEAR 21T / 48	
38 5623	STEEL PINION GEAR 23T / 48	
38 7541	M18 NICKEL COATED PIVOT BALL 4.2 MM TYPE C (8)	
38 7561	M18 NICKEL COATED PIVOT BALL 5.8 MM TYPE A (16)	
38 7562	M18 NICKEL COATED PIVOT BALL 5.8 MM TYPE B (8)	
38 9130	XRAY MICRO CABLE FOR BATTERY CHARGING	
38 9131	XRAY MICRO CABLE WITH FASTON CONNECTOR (SET)	
38 9133	XRAY BATTERY CABLE FOR MICRO BATT. PACK	
38 9160	XRAY MICRO STOCK MOTOR WITH PLUG	
38 9163	XRAY MICRO MOTOR 370 SUPERSIZE	
38 9171	XRAY MICRO SERVO XMS02MG - METAL GEAR	
38 9180	XRAY MICRO SPEED CONTROLLER 180 WITH REVERSE	
38 9181	XRAY MICRO SPEED CONTROLLER 300 WITH BRAKE	
38 9702	MICRO BODY 1/18 LAGO - 150MM	
38 9707	MICRO BODY 1/18 NT18 - F360	
38 9912	WHEEL AERODISK M18 PRO (HEX HUB) - RUBBER (2+2)	
93 0120	CARBIDE BALL 2.4MM FOR BALL DIFFERENTIAL (12)	
93 0220	CERAMIC BALL 2.4MM (12)	
93 0125	CARBIDE BALL-BEARING AXIAL 2.5x5.4x0.8	
94 0610	HIGH-SPEED BALL-BEARING 6x10x3 RUBBER SEALED (2)	

OPTION PARTS



#382041 - ALU HEAT SINK FOR SUPER SIZE MOTOR



#382252 - ALU SUSPENSION BLOCK LEFT
#382262 - ALU SUSPENSION BLOCK LEFT



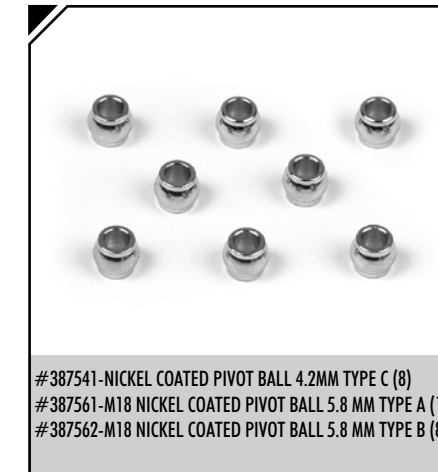
#385613-385623 - STEEL PINION GEAR 13T-23T



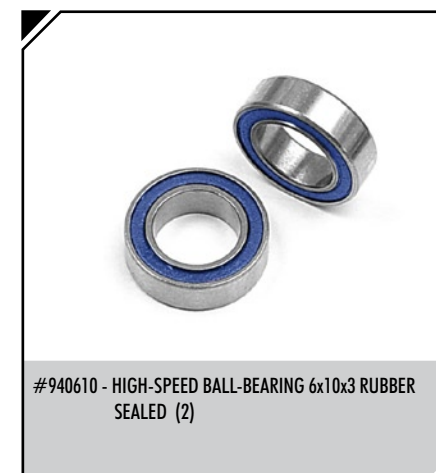
#385001 ALU ADJ. BALL DIFFERENTIAL - HARD COATED - SET



#385101 - FRONT ONE-WAY DIFFERENTIAL - SET - BLUE



#387541-NICKEL COATED PIVOT BALL 4.2MM TYPE C (8)
#387561-M18 NICKEL COATED PIVOT BALL 5.8 MM TYPE A (16)
#387562-M18 NICKEL COATED PIVOT BALL 5.8 MM TYPE B (8)



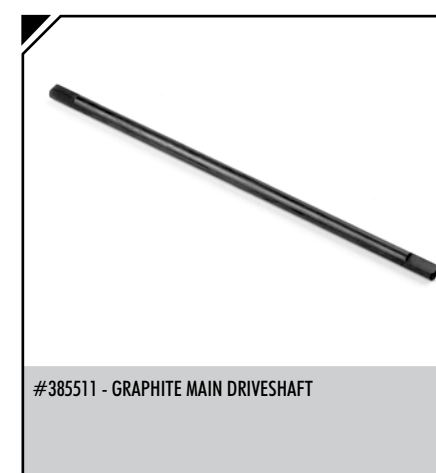
#940610 - HIGH-SPEED BALL-BEARING 6x10x3 RUBBER SEALED (2)



#389101 - XRAY M18 POWER PACK PRO (BATTERY, MOTOR, SERVO, SPEEDO)



#389702 - MICRO BODY 1/18 LAGO - 150MM
#389707 - MICRO BODY 1/18 NT18 - F360



#385511 - GRAPHITE MAIN DRIVESHAFT



#389544 - FRONT FOAM TIRE MOUNTED WITH HEX HUB (45DEG) - MEDIUM
#389543 - EAR FOAM TIRE MOUNTED WITH HEX HUB (40DEG) - MEDIUM



#385203 - ALU DRIVE SHAFT FOR HEX ADAPTER - SET (2)