

USER MANUAL

EZRUN SERIES

SENSORLESS BRUSHLESS

SPEED CONTROLLER

FOR

CAR AND TRUCK



HOBBYWING TECHNOLOGY CO., LTD.
<http://www.hobbywing.com>

【DECLARATION】

Thanks for purchasing "EZRUN" series Electronic Speed Controller (ESC). High power system for RC model can be very dangerous, so please read this manual carefully. In that we have no control over the correct use, installation, application, or maintenance of our products, no liability shall be assumed nor accepted for any damages, losses or costs resulting from the use of the product. Any claims arising from the operating, failure of malfunctioning etc. will be denied. We assume no liability for personal injury, consequential damages resulting from our product or our workmanship. As far as is legally permitted, the obligation to compensation is limited to the invoice amount of the affected product.

【FEATURES】

1. Specially designed for RC car and truck, with excellent start-up, acceleration and linearity features.
2. Compatible with sensorless brushless motor.
3. 2 running modes (Racing mode and Forward/Backward mode)
4. 4 steps of maximum reverse force adjustment.
5. Proportional ABS brake function with 4 steps of maximum brake force adjustment, 8 steps of drag-brake force adjustment and 4 steps of initial brake force adjustment.
6. 4 start modes (Also called "Punch") from "soft" to "very aggressive".
7. Multiple protection features: Low voltage cut-off protection for lithium or nickel battery / Over-heat protection / Throttle signal loss protection / Motor blocked protection.
8. 8 steps of timing adjustment.
9. Waterproof and dustproof.
10. Easily programmed with only one button and compatible with pocket-sized program card.

【SPECIFICATIONS】

Model	EZRUN-18A-SL	EZRUN-25A-SL	EZRUN-35A-SL	EZRUN-60A-SL
Cont. Current	18A	25A	35A	60A
Burst Current	50A	90A	190A	380A
Resistance	0.01 ohm	0.005 ohm	0.0015 ohm	0.0007 ohm
Suitable Car	1/18, 1/16 car		1/10 car	
Suitable Brushless Motor	2 cells Lipo 6 cells NiMH	On-road: ≥12T Off-road: ≥18T 2030 size motor	On-road: ≥9T Off-road: ≥12T 3650 size motor	On-road: ≥5.5T Off-road: ≥8.5T 3650 size motor
	3 cells Lipo 9 cells NiMH	On-road: ≥18T Off-road: ≥24T 2030 size motor	On-road: ≥12T Off-road: ≥18T 3650 size motor	On-road: ≥8.5T Off-road: ≥13T 3650 size motor
Battery	4-9 Cells NiMH or 2-3 Cells Li-Po 1) For 4-6 cells NiMH or 2 cells Lipo: You needn't change the fan combined with the ESC; 2) For 7-9 cell NiMH or 2 cells Lipo: You must change the fan combined with the controller because it cannot work with such a high voltage, so please choose a high voltage fan or supply the fan from the receiver (+5V); (*Note1)			
BEC Output	6V/1A	6V/1.5A		
Motor Type	Sensorless Brushless Motor			
Dimension	31.5* 24* 15	31.5* 27.5* 16	31.5* 27.5* 24 (The height of fan is not included)	
Weight	19g (W/O wires)	23g (W/O wires)	30g (W/O wires)	32g (W/O wires)

Note1: For information about the high voltage cooling fan, please refer to the brief introduction on page 3.

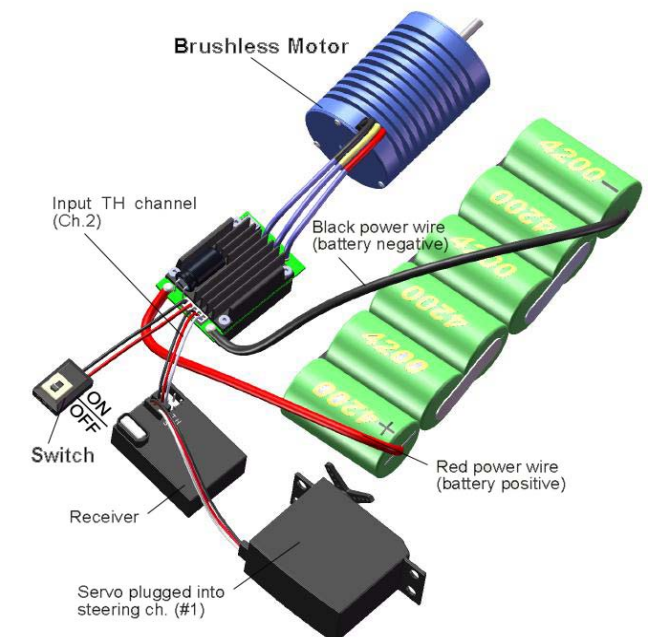
【BEGIN TO USE THE NEW ESC】

1. Connect the ESC, motor, receiver, battery and servo according to the following diagram

"+" and "-" wires of the ESC are connected with the battery pack, and #A, #B and #C are connected with the motor wires. The "SET" button is used for programming the ESC. The control cable of the ESC (trio wires with black, red and white color) is connected with the throttle channel of the receiver (Usually CH2).

The #A, #B, #C wires of the ESC can be connected with the motor wires freely (without any order). If the motor runs in the opposite direction, please swap any two wire connections.

Note: You can use the transmitter to set the throttle channel to the "Reverse" direction, and then the motor will run oppositely. Please calibrate the throttle range again after changing the direction of throttle channel.



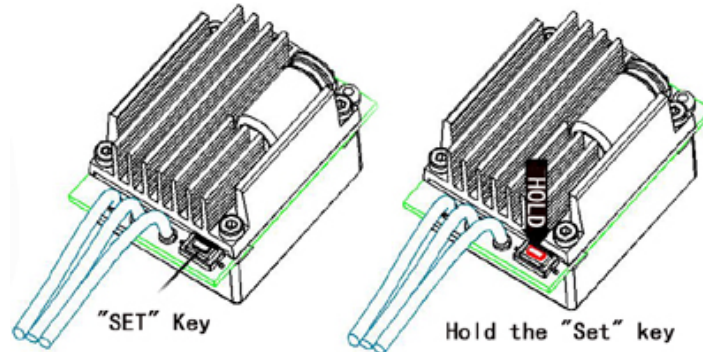
2. Throttle Range Setting (Throttle Range Calibration)

In order to make the ESC fit the throttle range, you must calibrate it for the following cases; otherwise the ESC cannot work properly.

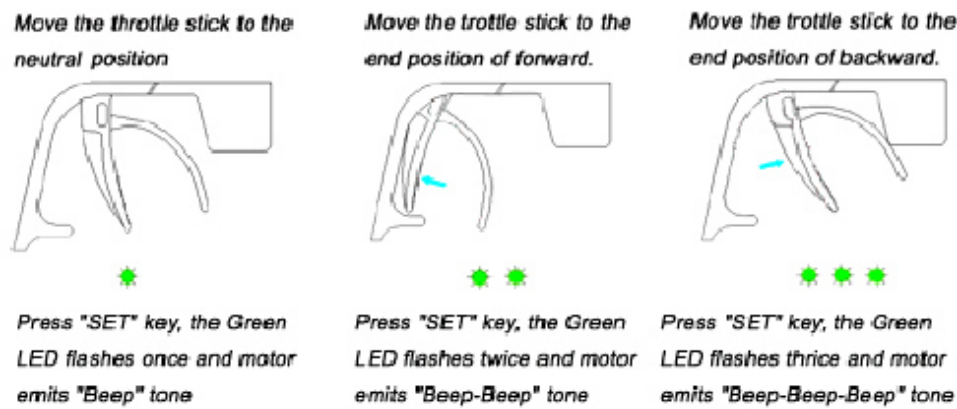
- 1) Begin to use a new ESC;
- 2) Begin to use a new transmitter;
- 3) Change the settings of neutral position of the throttle stick, ATV or EPA parameters, etc.

There are 3 points need to be set, they are the top point of "forward", "backward" and the neutral point. The following pictures show how to set the throttle range with a Futaba™ transmitter.

- A) Switch off the ESC, turn on the transmitter, set the direction of throttle channel to "REV", set the "EPA/ATV" value of throttle channel to "100%", and disable the "ABS" brake function of your transmitter. (*Note2)
- B) Hold the "SET" key and then switch on the ESC, when the red LED begins to flash, release the key immediately. (*Note3)
(Please refer to the picture on the right side)



- C) Set the THREE points according to the steps shown in the picture on the right side.
- 1) Neutral point
 - 2) End point of forward direction
 - 3) End point of backward direction
- D) When the process of calibration is finished, the motor can be started after 3 seconds.



Note2: If you don't release the "SET" key after the red LED begins to flash, the ESC will enter the program mode, in such a case, please switch off the ESC and re-calibrate the throttle range again from step A to step D.

Note3: The "SET" key of EZRUN-18A-SL is beside the main switch of the controller.

3. The LED Status in Normal Running

- a) In normal use, if the throttle stick is in the neutral range, neither the red LED nor the green LED lights.
- b) The red LED lights when the car is run forward or backward and it will flash quickly when the car is braking.
- c) The green LED lights when the throttle stick is moved to the top point (end point) of the forward zone or backward zone.

【ALERT TONES】

1. Input voltage abnormal alert tone: The ESC begins to check the input voltage when power on, if it is out of the normal range, such an alert tone will be emitted: "beep-beep-, beep-beep-, beep-beep-" (There is 1 second time interval between every "beep-beep-" tone).
2. Throttle signal abnormal alert tone: When the ESC can't detect the normal throttle signal, such an alert tone will be emitted: "beep-, beep-, beep-" (There is 2 seconds time interval between every "beep-" tone).

【PROTECTION FUNCTION】

1. Low voltage cut-off protection: If the voltage of a lithium battery pack is lower than the threshold for 2 seconds, the ESC will cut of the output power. Please note that the ESC cannot be restarted if the voltage of each lithium cell is lower than 3.5V.
For NiMH battery packs, if the voltage of the whole NiMH battery pack is higher than 9.0V but lower than 12V, it will be considered as a 3 cell lithium battery pack; If it is lower than 9.0V, it will be considered as a 2 cell lithium battery pack. For example, if the NiMH battery pack is 8.0V, and the threshold is set to 2.6V/Cell, so it will be considered as a 2 cell lithium battery pack, and the low-voltage cut-off threshold for this NiMH battery pack is 2.6*2=5.2V.
2. Over-heat protection: When the temperature of the ESC is over a factory preset threshold for 5 seconds, the ESC will cut off the output power. You can disable the over-heat protection function for competition race.
3. Throttle signal loss protection: The ESC will cut off the output power if the throttle signal is lost for 0.2 second.

【TROUBLE SHOOTING】

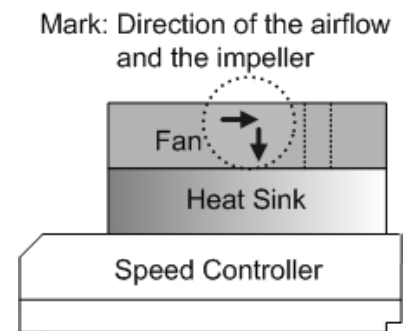
Trouble	Possible Reason	Solution
After power on, motor can't work, no sound is emitted	The connections between battery pack and ESC are not correct	Check the power connections Replace the connectors
After power on, motor can't work, but emits "beep-beep-, beep-beep-" alert tone. (Every "beep-beep-" has a time interval of 1 second)	Input voltage is abnormal, too high or too low.	Check the voltage of the battery pack
After power on, motor can't work, but emits "beep-, beep-, beep-" alert tone. (Every "beep-" has a time interval of about 2 seconds)	Throttle signal is abnormal	Check the transmitter and the receiver Check the wire of the throttle channel
The motor runs in the opposite direction	The wire connections between ESC and the motor need to be changed	Swap any two wire connections between the ESC and the motor.
The motor suddenly stops running while in working state	The throttle signal is lost	Check the transmitter and the receiver Check the wire of the throttle channel
	The ESC has entered the Low Voltage Protection Mode	Replace the battery pack
Random stop or restart or irregular working state	Some connections are not reliable	Check all the connections: battery pack connections, throttle signal wire, and motor connections, etc.
	There is strong Electro - Magnetic interference in flying field.	Reset the ESC to resume normal operation. If the function could not resume, you might need to move to another area to run the car.

【OPTIONAL ACCESSORIES FOR UPGRADE】

We provide the following optional accessories for upgrade your power system:

1. **Cooling fan (12V):** The high voltage fan is necessary when you are using battery pack more than 6 cells of NiMH. It is located on the heat sink of the ESC, it helps to cool the ESC with downward airflow. The picture on the right side shows the installation.

WARNING! Please note the original fan (5V) combined with the ESC can ONLY work with a 2 cells lithium battery pack or 4-6 cells NiMH battery pack. Please NEVER use it with a 3 cells lithium battery pack or NiMH battery pack more than 6 cells, otherwise it may be destroyed.
Please check the label of the fan carefully to confirm its working voltage before using it.



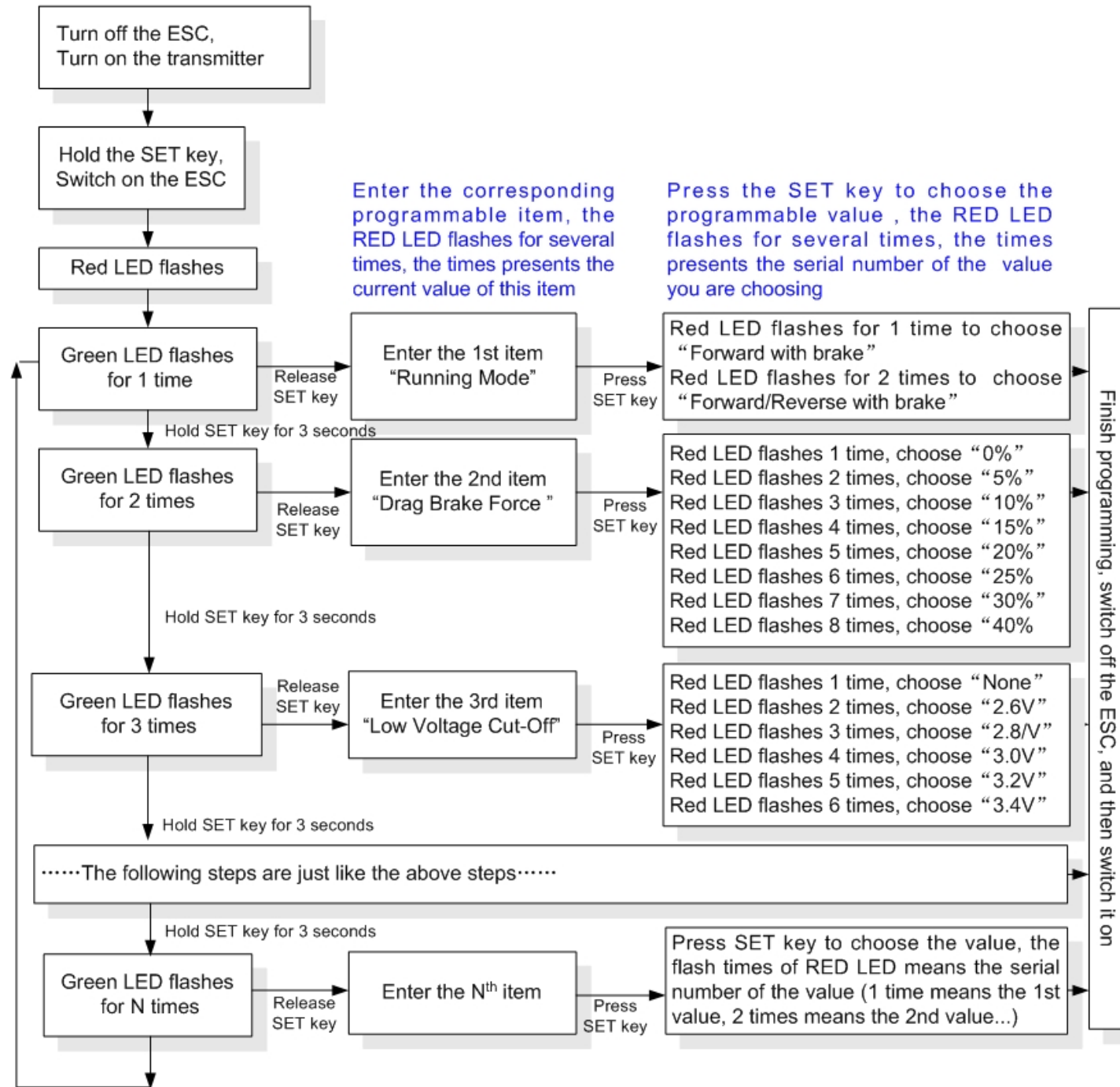
2. **Program card.**

Program card is an optional accessory which needs to be purchased separately. It has a friendly user interface. The process of programming the ESC becomes quite easy and fast with this pocket sized device. When the programmable value needs to be changed, please just plug the control wires of the ESC (trio wires with black, red and white color) into the socket of the program card (The socket is on the right corner, and marked with ⊕⊖⊔), and then connect the main battery pack to the ESC, each item's value will be shown on the program card. Use "ITEM" and "VALUE" buttons to select the programmable items and new values, and then press "OK" button to store the new settings into the ESC.



【PROGRAM THE ESC】

1. Program Method



Note:

- ★ In the program process, the motor will emit "Beep" tone at the same time when the LED is flashing.
 - ★ If the "N" is bigger than the number "5", we use a long time flash and long "Beep---" tone to represent "5", so it is easy to identify the items of the big number.
- For example, if the LED flashes as the following:
- "A long time flash + a short time flash" (Motor sounds "Beep---Beep") = the No. 6 item
- "A long time flash + 2 short time flash" (Motor sounds "Beep---BeepBeep") = the No. 7 item
- "A long time flash + 3 short time flash" (Motor sounds "Beep---BeepBeepBeep") = the No. 8 item
-
- And so on.

2. Programmable Items list

Programmable Items	Programmable Value							
	1	2	3	4	5	6	7	8
Basic Items								
1. Running Mode	Forward Only with Brake	<i>Forward/Reverse with Brake</i>						
2. Drag Brake Force	0%	5%	10%	15%	20%	25%	30%	40%
3. Low Voltage Cut-Off Threshold	<i>Non-Protection</i>	2.6V/Cell	2.8V/Cell	3.0V /Cell	3.2V /Cell	3.4V /Cell		
4. Start Mode(Punch)	Soft	Normal	Aggressive	Very Aggressive				
Advanced Items								
5. Maximum Brake Force	25%	50%	75%	100%				
6. Maximum Reverse Force	25%	50%	75%	100%				
7. Initial Brake Force	<i>= Drag Brake Force</i>	0%	20%	40%				
8. Neutral Range	6% (Narrow)	9% (Normal)	12% (Wide)					
9. Timing (Only for sensorless motor)	0.00 °	3.75 °	7.50 °	11.25 °	15.00 °	18.75 °	22.50 °	26.25 °
10. Motor Type	Brushless Motor							
11. Over-heat Protection	95 Degree	Non-Protection						

Attention: The italic texts in the above form are the default settings.

3. Programmable Values

- 3.1. Running Mode:** With "Forward with Brake" mode, the car can go forward and brake, but cannot go backward, this mode is suitable for competition; "Forward/Reverse with Brake" mode provides backward function, which is suitable for training.
Note: "Forward/Reverse with Brake" mode uses "Double-Click" method to make the car go backward. When you move the throttle stick from forward zone to backward zone for the first time, the ESC begins to brake the motor, the motor speeds down but it is still running, not completely stopped, so the backward action is NOT happened now. When the throttle stick is moved to the backward zone again (The 2nd "click"), if the motor speed is slowed down to zero (i.e. stopped), the backward action will be occurred. The "Double-Click" method can prevent mistakenly reverse when the brake function is frequently used in steering. By the way, in the process of braking or reverse, if the throttle stick is moved to forward zone, the motor will regain forward running at once.
- 3.2. Drag Brake Force:** Set the amount of drag brake applied at neutral throttle to simulate the slight braking effect of a neutral brushed motor while coasting.
- 3.3. Low Voltage Cut-Off:** The function is mainly to prevent the lithium battery pack from over discharging. When using lithium battery pack, please set the suitable value for low-voltage protection as your like. **WARNING: Never use the default value "Non-protection" for lithium battery!** The ESC monitors the battery's voltage at any time, if the voltage is lower than the threshold, the output power will be cut off.
- 3.4. Start Mode (Also called "Punch"):** Select from "soft" to "very aggressive" start mode as your like. Please note that if you choose "Aggressive" or "Very Aggressive" mode, you'd better use good quality battery pack with powerful discharge ability, otherwise these 2 modes cannot get the bursting start effect as you want. If the motor cannot run smoothly (the motor is trembling), it may caused by the weak discharge ability of the battery pack, please choose a better battery or increase the gear rate.
- 3.5. Maximum Brake Force:** The ESC provides proportional brake function. The brake force is related to the position of the throttle stick. Maximum brake force refers to the force when the throttle stick is located at the top point of the backward zone. A very large brake force can shorten the brake time, but it may damage the gears.
- 3.6. Maximum Reverse Force:** Sets how much power will be applied in the reverse direction. Different value makes different reverse speed.
- 3.7. Initial Brake Force:** It is also called "minimum brake force", and it refers to the force when the throttle stick is located at the initial position of the backward zone. The default value is equal to the drag brake force, so the brake effect can be very smooth.

