



PRICE LIST/ EXPLODED VIEW

Effective:11/01/03

©2003 Team Losi A Division of Horizon Hobby Inc.

Not Responsible for Typographical Errors

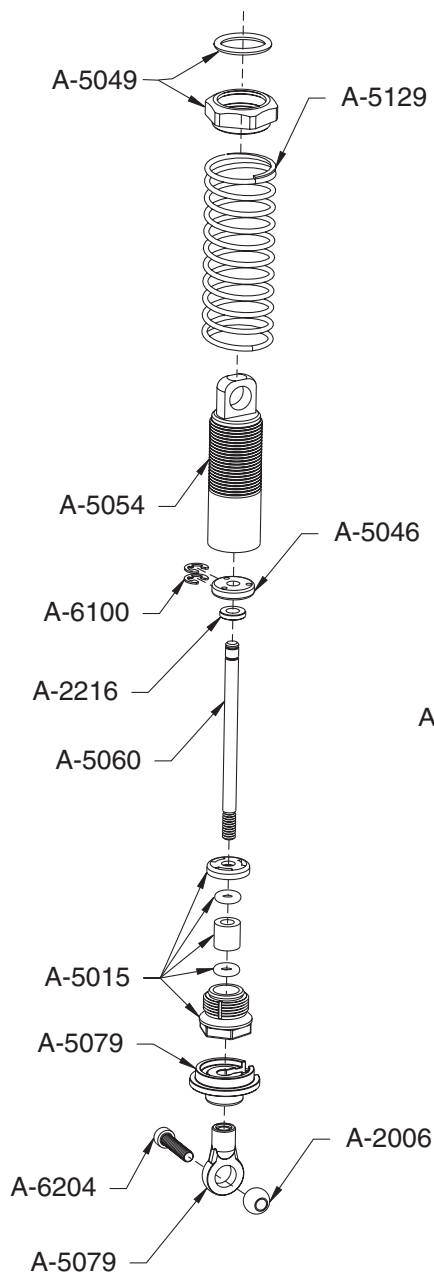
Prices Subject to Change Without Notice

TEAM LOSI PERFORMANCE

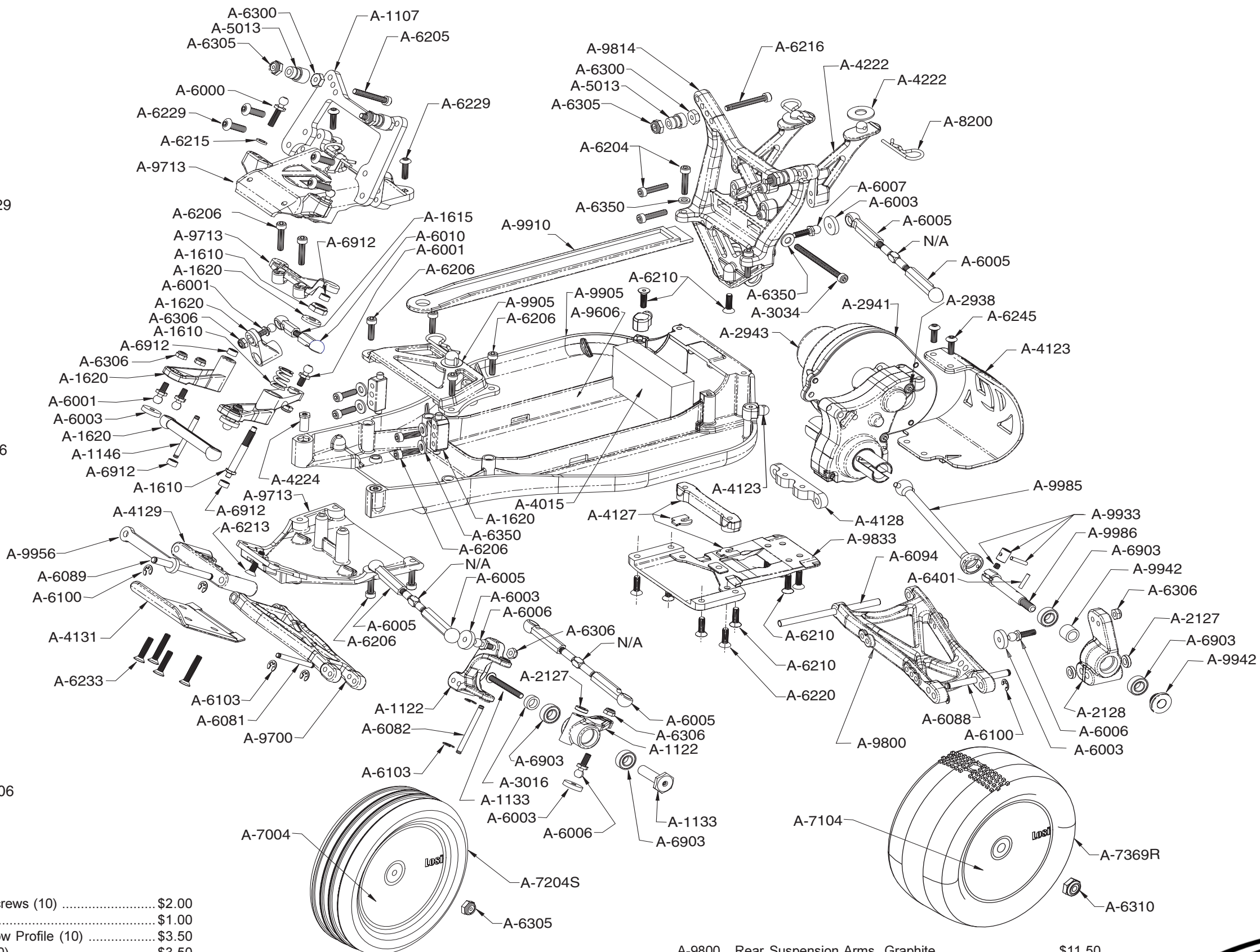
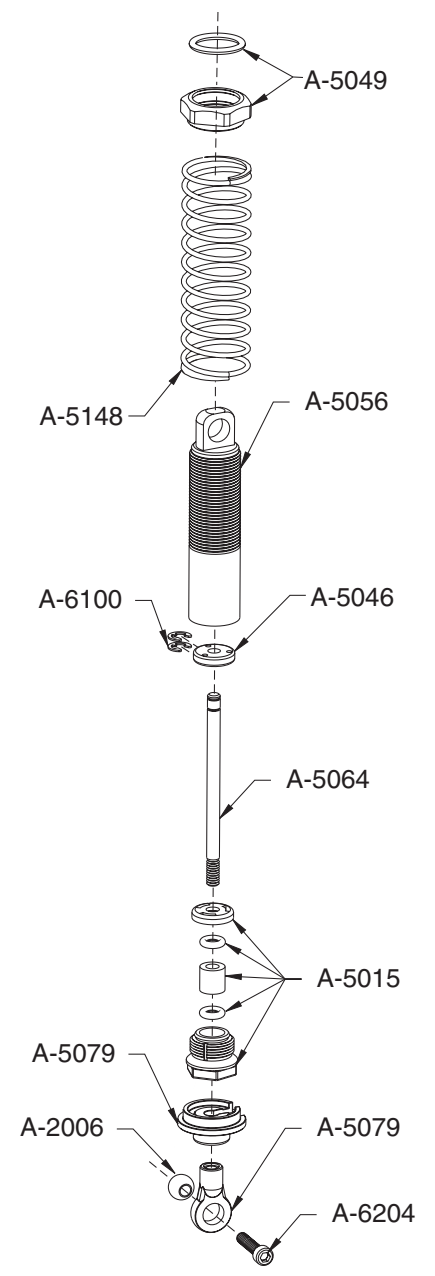
THE CHOICE OF CHAMPIONS

A-0030 Triple-X BK2 Edition		A-4224 Threaded Chassis Inserts - Short and Long	\$6.50
A-1107 Front Shock Tower	\$6.00	A-5013 Shock Mount Bushings	\$3.00
A-1122 Front Spindle & Carrier	\$4.50	A-5015 Shock Cartridge, Double O-Ring	\$2.00
A-1133 FR Stub Axles & Screws	\$7.00	A-5046 Shock Pistons, Teflon™ #56 (Red) (4)	\$3.00
A-1146 Hinge Pins, 3/32 x .930"	\$3.00	A-5049 Shock Adjusting Nuts with O-Ring, Aluminum	\$7.00
A-1610 Steering Hardware Set	\$3.50	A-5054 .6" Threaded Shock Body Set with Nuts	\$19.95
A-1615 Short Ball Cups and Threaded Rod	\$2.75	A-5055 .9" Threaded Shock Body Set with Nuts	\$19.95
A-1620 Steering/Servo Mount Assembly	\$6.00	A-5060 .6" Titanium Nitride Shock Shaft	\$7.00
A-2006 Swivel Suspension Balls .250" (8)	\$4.00	A-5064 1.0" Titanium Nitride Shock Shaft	\$7.00
A-2127 Hub Spacers (.060")	\$2.50	A-5079 Shock Ends & Cups	\$4.00
A-2128 Rear Hub Carriers	\$4.00	A-5129 2" Spring 2.9 Rate (Orange)	\$2.50
A-2216 Hub Spacers (.050")	\$2.50	A-5148 2.75" Spring 2.0 Rate (Yellow)	\$2.50
A-2933 Differential Screw, Hardware, and Seal	\$3.50	A-5224 Shock Fluid 30wt, Team Losi Certified	\$3.50
A-2935 Outdrive Cup/Diff Half Set	\$14.00	A-6000 Ball Studs w/Rod Ends 4-40 x 3/8" (4)	\$3.50
A-2937 Idler Gear, 32 Teeth & Shaft	\$2.50	A-6001 Ball Studs w/Rod Ends 4-40 x 3/16" (4)	\$3.50
A-2938 Transmission Case Set and Spacer (Gen II)	\$6.00	A-6003 Foam Things (Linkage Rings) (24)	\$1.50
A-2940 Transmission Screw Set (Gen II)	\$2.50	A-6005 H.D. 30 Degree Plastic Rod Ends-Black	\$5.00
A-2941 Machined Motor Plate	\$10.00	A-6006 Ball Studs w/Rod Ends 1/4" (4)	\$3.50
A-2943 Gear Cover with Access Plug (Gen II)	\$3.00	A-6007 Ball Studs w/Rod Ends .35" (Short Neck) (4)	\$3.50
A-3016 Axle Spacers (2)	\$1.25	A-6010 Rod End, Short, 30 Degree, Plastic	\$3.00
A-3034 Transmission Screw Set	\$2.50	A-6030 Assembly Wrench (version 2)	\$1.50
A-3045 Slipper Gear Cover Plug (4)	\$1.50	A-6081 Hinge Pin 3/32" x 15/16" Ti-Nitride	\$7.00
A-3065 Differential Grease, Silicone (Clear)	\$2.50	A-6082 Hinge Pin 3/32" x 1-1/16" Ti-Nitride	\$7.00
A-3066 Assembly Grease	\$2.50	A-6088 Hinge Pin 1/8" x 1-1/4" Ti-Nitride	\$7.00
A-3070 Transmission Diff Rings (2)	\$2.00	A-6089 Hinge Pin 1-7/16" Ti-Nitride	\$7.00
A-3074 Tranny Diff Gear, 46 Teeth	\$2.50	A-6094 Hinge Pin 1/8" x 2.125" Ti-Nitride	\$7.00
A-3099 Thrust Bearing Set	\$4.00	A-6100 E-Clips, 1/8"	\$1.25
A-3123 Slipper Pad	\$3.00	A-6103 E-Clips 3/32"	\$1.25
A-3124 Slipper Spring, Cup, Spacer, Bushing, and Washer ...	\$3.00	A-6201 3mm x 8mm Cap-Head w/Washers (10)	\$3.00
A-3132 Slipper Backing Plate	\$6.00	A-6204 4-40 x 1/2" Cap-Head Screws (10)	\$1.50
A-3981 Spur Gear, 78T 48-Pitch Kevlar®	\$4.00	A-6205 4-40 x 3/4" Cap-Head Screws (10)	\$1.50
A-4002 Antenna Kit	\$2.25	A-6206 4-40 x 3/8" Cap-Head screws (10)	\$1.50
A-4003 Antenna Caps (8)	\$1.25	A-6210 4-40 x 3/8" Flat-Head Screws (10)	\$1.50
A-4004 Servo Tape (6)	\$1.75	A-6212 4-40 x 1/8" Button-Head Screws (4)	\$1.25
A-4015 Foam Battery Block	\$2.50	A-6213 4-40 x 1/4" Flat-Head Screws (6)	\$1.25
A-4123 Motor Guard, & Body Mts. (Black)	\$5.50	A-6215 #4 Narrow Washers (10)	\$1.25
A-4127 Rear Pivot Mount, Forward	\$3.50	A-6216 4-40 x 7/8" Cap-Head Screws (10)	\$1.50
A-4128 Rear Pivot Mount,- Aluminum	\$9.95	A-6220 4-40 x 1/2" Flat-Head Screws (6)	\$1.50
A-4129 Pivot Block, Front	\$3.00	A-6229 4-40 x 3/8" Button-Head Screws (6)	\$2.00
A-4131 Front Bumper	\$2.50	A-6230 Shim Assortment - 3/16", 1/4", 1/2"	\$2.50
A-4222 Wing Mount Set	\$7.00	A-6233 4-40 x 5/8" Flat-Head Screws (10)	\$2.50

Front Shock



Rear Shock



A-6245	4-40 x 5/16" Button-Head Screws (10)	\$2.00
A-6300	4-40 Hex Nuts (10)	\$1.00
A-6305	4-40 Aluminum Locknuts, Low Profile (10)	\$3.50
A-6306	4-40 Aluminum Mini Nuts (10)	\$3.50
A-6310	8-32 Aluminum Lock Nuts - Low Profile (6)	\$4.50
A-6350	#4 and 1/8" Hardened Washers (24)	\$2.50
A-6401	Roll Pin - Wheels and Gears (6)	\$1.25
A-6903	Sealed Bearings 3/16" x 3/8" Teflon™ - (2)	\$5.50
A-6907	5mm x 8mm Bearings (2)	\$6.50
A-6908	Ball Bearings w/Teflon Seal 1/2" x 3/4" (2)	\$13.50
A-6909	Ball Bearings 1/8" x 3/8" (2) & Idler Shaft	\$6.00
A-6912	3/32" x 3/16" Bearing for Steering (4)	\$19.95
A-6951	3/32" Carbide Diff Balls (12)	\$10.95
A-7004	Wide Front (solid) Wheels - Yellow (2)	\$6.00
A-7104	Wide Rear (solid) Wheels - Yellow (2)	\$6.00

A-7204S	Front Xtra-Wide Tires (Silver) w/Foam (Wide Wheels)	\$11.00
A-7297	Front 4WD & XTRA-Wide Foam Liners - Firm	\$2.50
A-7369R	2.2" Rear X-2000 Tires (Red) w/Foam	\$12.00
A-7398	Rear Foam Liners, Buggy - Firm	\$2.50
A-8039	Body & Wing Set w/Masks (BK2)	\$18.00
A-8116	Wing (BK2)	\$3.00
A-8200	Body Clips (12)	\$1.25
A-8355	Sticker Sheet (BK2)	\$4.00
A-9606	Battery Box Insulation (Diecut)	\$5.00
A-9700	Front Suspension Arms, Graphite	\$10.50
A-9713	Kickplate, Bulkhead, & Steering Brace Graphite	\$16.00

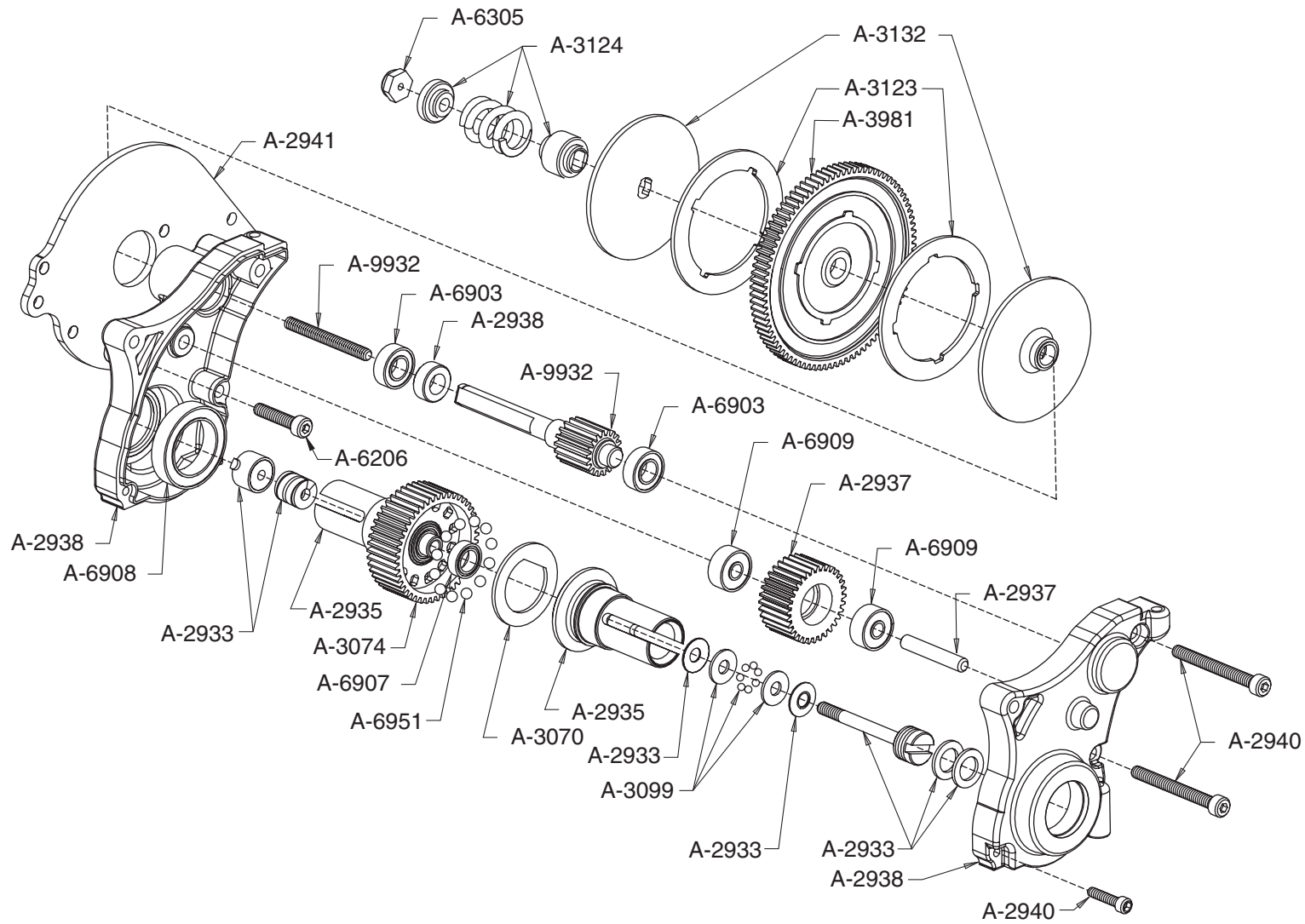
A-9800	Rear Suspension Arms, Graphite	\$11.50
A-9814	Rear Shock Tower, Graphite	\$11.50
A-9833	Rear Pivot Plate, Graphite	\$6.50
A-9905	Chassis & Brace, Graphite	\$47.50
A-9910	Battery Hold-Down Strap, Graphite	\$6.00
A-9932	Gear/Slipper Shaft, 18 Teeth, Aluminum	\$11.95
A-9933	MIP CVD Rebuild Set	\$7.00
A-9942	Bearing Spacer & Washer Set	\$8.95
A-9956	Front Pin Brace - Aluminum, Hard Anodized	\$3.50
A-9984	CVD Set Steel for XXX-BK2	\$30.95
A-9985	MIP CVD Steel Driveshaft	\$8.50
A-9986	CVD Rear Axle (.200 Offset)	\$8.00





Always Racing Towards The Future.

4710 East Guasti Rd., Ontario, CA 91761,
 Phone 909-390-9595 Fax: 909-390-5356
 Email, feedback@teamlosi.com
 www.teamlosi.com



Optional Parts for the Triple-X BK2 Kinwald Edition

A-3983	Spur Gear, 84-Tooth, 48-Pitch, Kevlar®	\$3.50	A-5156	2.5" Spring 3.4 Rate (Silver)	\$2.50
A-3987	Spur Gear, 86-Tooth, 48-Pitch, Kevlar®	\$3.50	A-5158	2.5" Spring 3.7 Rate (Green)	\$2.50
A-4142	Front & Rear Sway Bar Set	\$12.95	A-5160	2.5" Spring 4.1 Rate (Blue)	\$2.50
A-5043	Shock Pistons #60 (Natural) Teflon™	\$3.00	A-7005	Wide Front (solid) Wheels - White	\$6.00
A-5045	Shock Pistons #57 (Black) Teflon™	\$3.00	A-7105	Wide Rear (solid) Wheels - White	\$6.00
A-5047	Shock Pistons #55 (Orange) Teflon™	\$3.00	A-7880	Team Losi Tire Glue - Medium	\$7.50
A-5048	Shock Pistons #54 (Blue) Teflon™	\$3.00	A-7881	Team Losi Tire Glue - Thin	\$7.50
A-5128	2" Spring 2.5 Rate (Red)	\$2.50	A-7884	Offroad Tire Glue Kit	\$9.95
A-5130	2" Spring 3.2 Rate (Silver)	\$2.50	A-9605	Chassis Protection Material	\$9.00
A-5132	2" Spring 3.5 Rate (Green)	\$2.50	A-9940	Aluminum Hardcoated Suspension Balls	\$3.95
A-5134	2" Spring 3.8 Rate (Blue)	\$2.50	A-9945	Titanium Ball Studs w/Hex Head .188"	\$9.00
A-5146	2.75" Spring 1.6 Rate (Grey)	\$2.50	A-9946	Titanium Ball Studs w/Hex Head .250"	\$9.00
A-5147	2.75" Spring 1.8 Rate (White)	\$2.50	A-9947	Titanium Ball Studs w/Hex Head .380"	\$9.00
A-5150	2.5" Spring 2.3 Rate (Pink)	\$2.50	A-99104	Losi Race Wrench US 4pc. Set	\$49.99
A-5152	2.5" Spring 2.6 Rate (Red)	\$2.50	A-99150	Losi US Nut Driver Set 4pc Set	\$49.99
A-5154	2.5" Spring 2.9 Rate (Orange)	\$2.50			