

# TEAM LOSI MINI-T

800-0218  
Effective:  
10/1/2003

**1/18TH SCALE RTR VERSION OF THE CHAMPIONSHIP WINNING XXX-T**

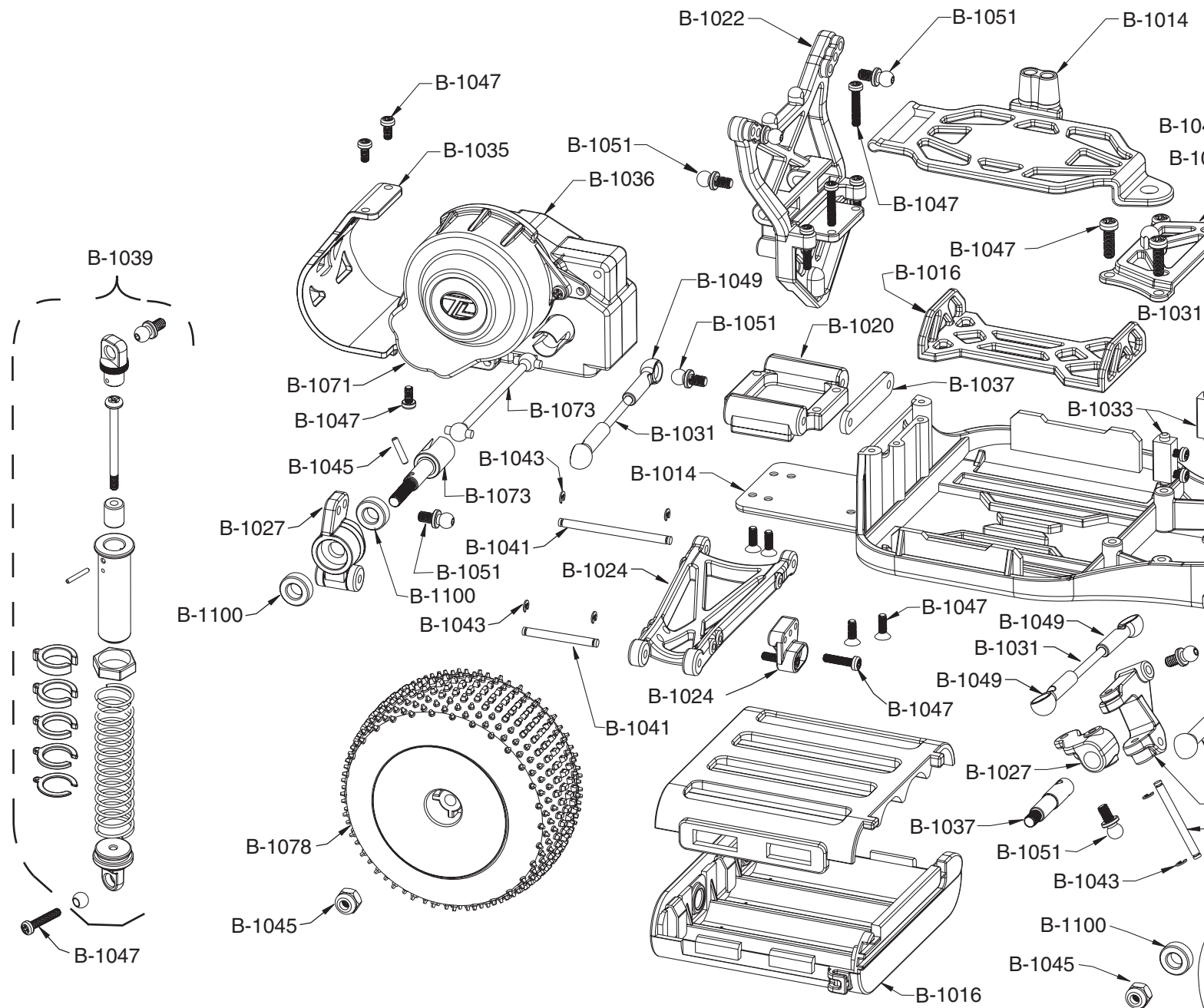
## PRICE LIST EXPLODED VIEW



Team Losi

A Division of Horizon Hobby, Inc.,  
4710 E. Guasti Rd, Ontario, CA 91761  
[www.TeamLosi.com](http://www.TeamLosi.com) / [feedback@TeamLosi.com](mailto:feedback@TeamLosi.com)





NOT RESPONSIBLE FOR TYPOGRAPHICAL ERRORS

ALL PRICES SUBJECT TO CHANGE WITHOUT NOTICE

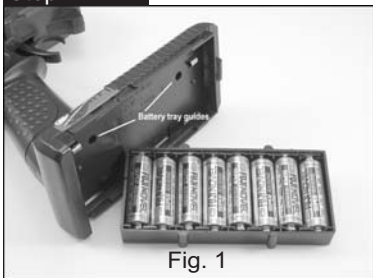
LOSB1001	Mini-T Painted & Trimmed Body - Silver .....	\$18.99	LOSB1029	Steering Set .....	\$4.00
LOSB1002	Mini-T Painted & Trimmed Body - Blue .....	\$18.99	LOSB1031	Camber and Steering Link Set .....	\$2.00
LOSB1003	Mini-T Painted & Trimmed Body - Red .....	\$18.99	LOSB1033	Servo Mount & Steering Pin Set .....	\$2.50
LOSB1004	Mini-T Painted & Trimmed Body - Black .....	\$18.99	LOSB1035	Front Bumper & Motor Guard Set .....	\$7.00
LOSB1005	Mini-T Painted & Trimmed Body - Yellow .....	\$18.99	LOSB1037	Front Axle & Pin Brace Set .....	\$5.00
LOSB1006	Mini-T Painted & Trimmed Body - Purple .....	\$18.99	LOSB1039	Damper Set (4) Assembled .....	\$14.99
LOSB1008	Mini-T Clear Body w/Masks & Stickers .....	\$11.99	LOSB1041	Suspension Pin Bag .....	\$4.00
LOSB1010	Mini-T Sticker Sheet .....	\$4.50	LOSB1043	E-Clip Bag .....	\$1.50
LOSB1011	Mini-T number Sheet .....	\$1.50	LOSB1045	Wheel Nuts & Drive Pins .....	\$2.00
LOSB1012	Mini-T Jump Ramps (4) .....	\$7.00	LOSB1047	Complete Screw Set .....	\$2.00
LOSB1014	Main Chassis Set .....	\$6.00	LOSB1048	Body Clips (10) .....	\$1.50
LOSB1016	Battery Box Set .....	\$4.50	LOSB1049	Rod End Set (14) .....	\$3.00
LOSB1018	Front Bulkhead, Kickplate & Brace .....	\$4.00	LOSB1051	Ball Stud Set (10) .....	\$5.00
LOSB1020	F/R Pivot Block Set .....	\$3.00	LOSB1058	Transmission Case & Motor Plate Set .....	\$9.00
LOSB1022	F/R Shock Tower Set .....	\$4.00	LOSB1060	Transmission Ball Bearing Set (7) .....	\$19.99
LOSB1024	F/R Suspension Arm Set .....	\$5.00	LOSB1062	Transmission Shaft Set .....	\$6.00
LOSB1027	Spindle, Carrier & Hub Set .....	\$4.00	LOSB1064	Slipper Hardware Set .....	\$4.00



# GETTING STARTED

**NOTE:** Before you start running your new Mini-T, it is absolutely necessary that you read through all of the operating instructions to get the maximum enjoyment and prevent unnecessary damage.

## Step 1



Remove the transmitter battery tray by sliding the bottom cover. Install eight (8) AA alkaline batteries into the battery holder. Pay close attention to the correct direction of the positive (+) and negative (-) ends as marked in the tray. Reinstall the battery tray using the molded pegs in the bottom as a guide for the correct location and replace the bottom cover.

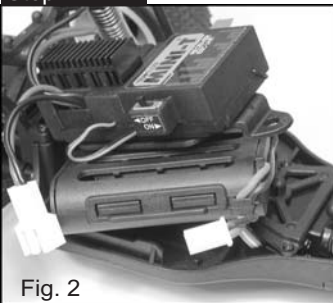
## Step 4



Remove the battery box top by lightly prying the bottom rail of either end of the retaining clip. Install four (4) AA alkaline batteries into the battery box, again paying close attention to the correct direction of the cells. Replace the cover and make sure the retaining clips snap over the rails at either end.



## Step 2



After removing the body, remove the small hatch pin just in front of the receiver above the steering servo. Carefully swing the plate with the receiver/speed control upward and remove the battery box.

## Step 5



Install the battery box with the plug at the right front corner. Let the receiver/speed control plate drop over the batteries onto the mounting post and replace the hatch pin that secures it in place. Plug in the battery using the slots and bars molded into the plugs as a guide and you are ready to go!



## Step 7

Turn on the Mini-T by sliding the switch on the right side of the receiver forward (Fig. 5.) as noted on the side of the switch. If the rear wheels turn, adjust the "TH. TRIM" knob (Fig. 8) located to the lower right of the steering wheel until they stop. To go forward pull the trigger back. If you should need reverse, wait for the model to stop then push the trigger forward. When going forward the model should move in a straight line. If not, adjust the "ST. TRIM" (Fig. 8) so that it tracks in a straight line without having to turn the steering wheel.

After you are done running, turn the Mini-T off **FIRST** by sliding the switch toward the back of the truck (Fig. 5). After the model has been turned off, turn off the transmitter (Fig. 6). If you wish to clean your Mini-T, use compressed air and / or a soft paintbrush to remove dust and dirt. **NEVER** use chemicals or anything wet as it can cause damage to both the electronics and plastic parts.

### ALWAYS

- Turn on the transmitter before the truck
- Use caution when running around people
- Turn both the Mini-T and transmitter "off" when done
- Check the battery condition of the transmitter before running.

### NEVER

- Operate the Mini-T with low battery power.
- Run the Mini-T through water or wet grass
- Use chemicals to clean the chassis
- Run the Mini-T without a gear cover

### SERVICE/TECH INFO:

ELECTRONICS (877) 504-0233

CHASSIS (909) 390-9595

©2003 TEAM LOSI, INC.,  
A DIVISION OF HORIZON HOBBY