



PRICE LIST REFERENCE GUIDE

Effective: 10/1/97

© 1996 TEAM LOSI, INC.

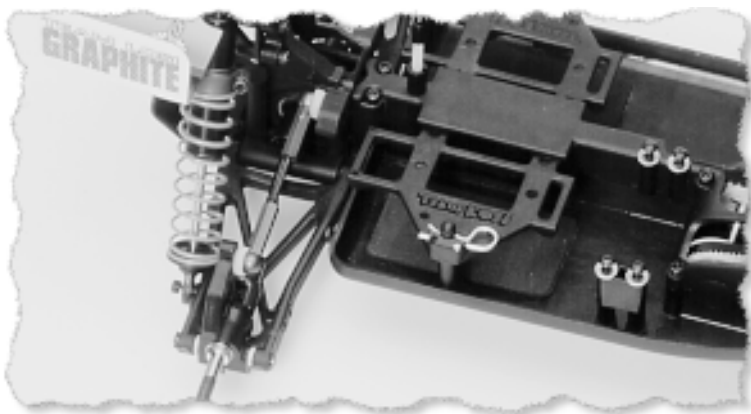
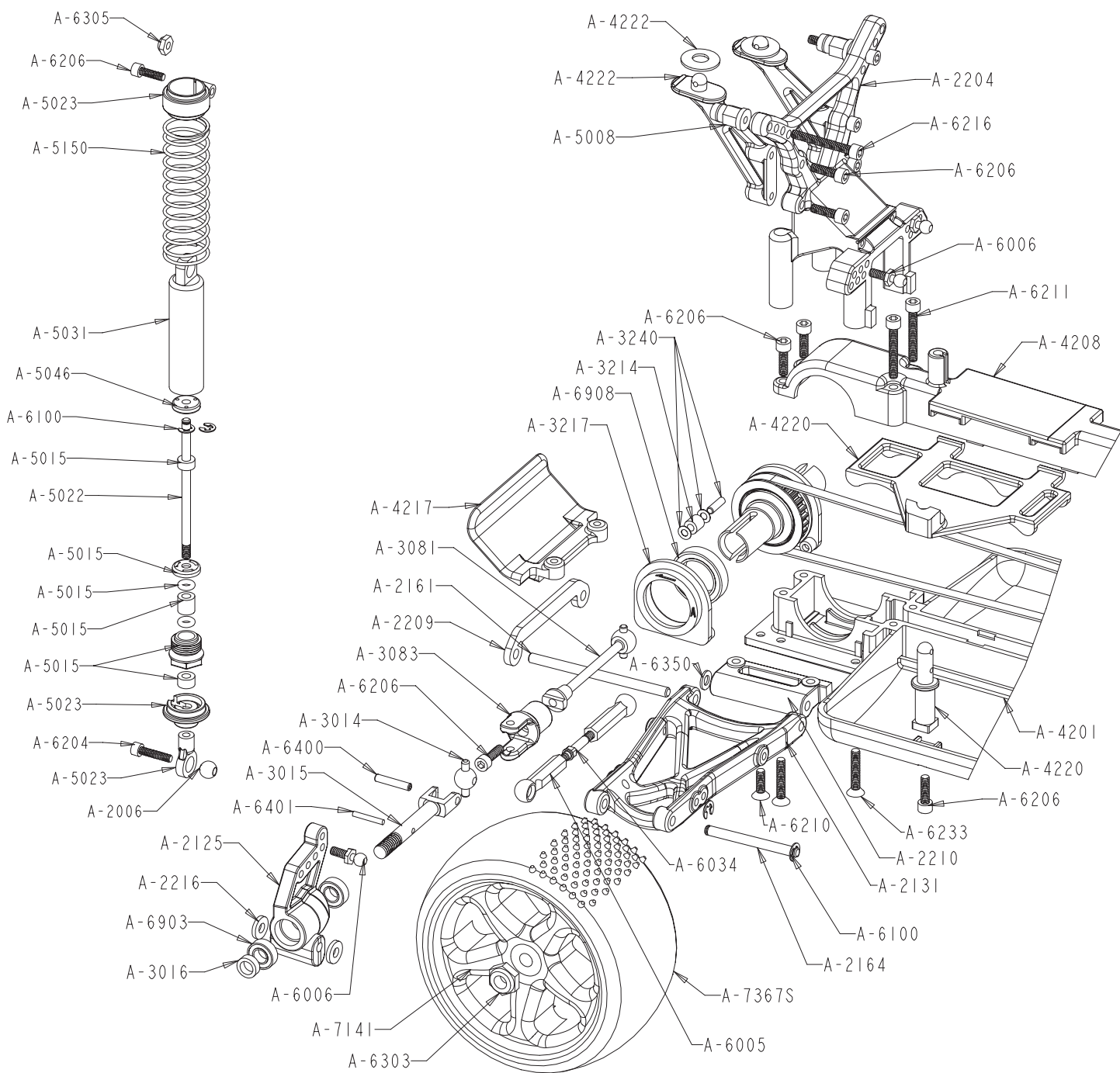
NOT RESPONSIBLE FOR TYPOGRAPHICAL ERRORS.

ALL PRICES SUBJECT TO CHANGE WITHOUT NOTICE

TEAM LOSI PERFORMANCE

CHOICE OF CHAMPIONS

A-0010	XX-4 4WD Kit w/Bearings	\$499.95	A-3230	Front Dogbone/Driveshaft (XX-4)	9.00
A-1201	Front Bulkhead (4WD)	6.00	A-3236	Front Drive Yokes and Screws (4WD)	4.50
A-1204	Front Shock Tower (XX-4)	7.00	A-3240	Belt Roller Shafts and Shims (4WD)	4.00
A-1210	Front Suspension Arms (XX-4)	7.50	A-3242	Slipper Belleville Spring Washer Set (XX-4)	2.50
A-1216	Front Spindles and Carriers (4WD)	7.00	A-3244	Access Plugs (4WD)	3.00
A-1219	Front Stub Axle and Hardware (4WD)	7.50	A-3930	84-Tooth, 48-Pitch Spur Gear (XX-4)	3.50
A-1221	Front Universal Pivots (4WD)	4.50	A-4002	Antenna Kit	2.25
A-1550	Steering Linkage/Bellcrank Set (4WD)	10.95	A-4003	Antenna Caps	1.25
A-2005	Adjustable L/R Threaded Rod Set w/Ends 1.125"	5.00	A-4004	Servo Tape	1.75
A-2006	Swivel Suspension Balls .250"	4.00	A-4201	Main Chassis - Stiffezel (XX-4)	29.95
A-2007	Hinge Pin 1.42"	3.00	A-4208	Chassis Cover Set (XX-4)	14.95
A-2125	Rear Hub Set	5.00	A-4215	Motor Mount Clamp (4WD)	3.95
A-2127	'CR' Rear Hub Spacers .060"	2.50	A-4217	Front and Rear Bumper Set (XX-4)	6.00
A-2131	'CR' Rear Suspension Arms	7.00	A-4220	Battery Post/Hold-Down Straps (4WD)	7.00
A-2161	Inner Rear Hinge Pins	3.00	A-4222	Wing Mount Set (XX-4)	7.00
A-2164	Outer Rear Hinge Pins	3.00	A-4224	Threaded Chassis Inserts - Short & Long (4WD)	6.50
A-2204	Rear Shock Tower (XX-4)	7.00	A-4226	Foam Battery Pads (4WD)	2.50
A-2209	Rear Hinge Pin Support Bracket (4WD)	2.50	A-5004	Shock Shaft .6"	3.00
A-2210	Rear Pivot Blocks and Anti-Squat Shims	6.00	A-5008	Upper Shock Mount Bushing	2.00
A-2216	Rear Hub Spacers .050" (4WD)	7.00	A-5015	Double O-ring Shock Cartridge	2.00
A-3014	Universal Pivots	4.50	A-5022	Shock Shaft 1.2"	3.00
A-3015	Rear Axle, Spacer, and Pin	6.00	A-5023	Spring Clamps and Cups	2.50
A-3016	Rear Axle Spacers	1.25	A-5029	.6" Shock Body Hard Anodized	8.00
A-3065	Silicone Differential Compound	2.50	A-5031	1.2" Shock Body Hard Anodized	8.00
A-3066	Teflon™ Assembly Grease	2.50	A-5224	SILATECH Competition Shock Fluid 350/30wt	3.50
A-3070	Differential Drive Rings	2.00	A-5046	Teflon™ Shock Pistons #56 (Red)	3.00
A-3071	Differential Thrust Bearing Assembly	6.75	A-5047	Teflon™ Shock Pistons #55 (Orange)	3.00
A-3072	Differential Tube	2.25	A-5132	2" Spring 3.5 Rate (Green)	2.00
A-3073	Outdrive Cup	7.00	A-5150	2.5" Spring 2.3 Rate (Pink)	2.50
A-3078	Differential Screw, Hardware, and Seal	3.50	A-6001	Studded Balls w/Rod Ends 4-40 x 3/16"	3.50
A-3081	Buggy Dogbone/Drive Shaft w/Yoke	7.50	A-6003	Foam Things (Linkage Ring)	1.50
A-3083	Yoke and Screw for Dogbone/Drive Shaft	3.50	A-6005	H.D. 30° Plastic Rod Ends	5.00
A-3097	Molded Front Outdrive Set (Dogbone) (4WD)	12.95	A-6006	Studded Ball w/Ends 4-40 x 1/4"	3.50
A-3123	Slipper Pad	3.00	A-6010	Short 30° Ball Cups	3.00
A-3125	1/4" x 9/16" Thrust Bearing Assembly	2.50	A-6030	Assembly Wrench (version 2)	1.50
A-3201	Rear Drive Belt 366mm (XX-4)	8.50	A-6034	Adjustable Threaded L/R Rod Set w/Ends 1.375"	3.50
A-3206	Front/Side Drive Belt 196mm (4WD)	7.00	A-6035	Adjustable Threaded L/R Rod Set w/Ends 1.625"	3.50
A-3210	Drive and Differential Pulley Set (4WD)	7.50	A-6042	Steering Rod and Ball Cups - 3.25" (4WD)	2.50
A-3214	One-Way/Clicker, Spring, & Belt Roller Set (4WD)	7.00	A-6100	E-Clips 1/8"	1.25
A-3217	Bearing Inserts and O-Rings (4WD)	5.50	A-6102	C-Clips 3/16"	1.75
A-3218	O-rings for Outdrive Bearing (4WD)	3.00	A-6201	3mm x 8mm Cap-Head Screws w/Washers (Motor)	3.00
A-3219	Motor Mount and Screws (4WD)	7.00	A-6204	4-40 x 1/2" Cap-Head Screws	1.50
A-3221	Slipper Shaft Assembly with Hardware (XX-4)	7.00	A-6206	4-40 x 3/8" Cap-Head Screws	1.50
A-3222	Slipper Back Plate - Front (XX-4)	8.50	A-6210	4-40 x 3/8" Flat-Head Screws	1.50
A-3223	Slipper Back Plate - Rear (XX-4)	4.00	A-6211	4-40 x 3/4" Cap-Head Screws	1.50
A-3224	Slipper Pad Rear (XX-4)	3.00	A-6212	4-40 x 1/8" Button-Head Screws	1.25
A-3225	Layshaft with Hardware (4WD)	4.50	A-6213	4-40 x 1/4" Flat-Head Screws	1.25



A-6216	4-40 x 7/8" Cap-Head Screws	1.50
A-6220	4-40 x 1/2" Flat-Head Screws	1.50
A-6221	4-40 x 5/8" Cap-Head Screws	1.50
A-6228	5-40 x 1/8" Hardened Set Screws	1.80
A-6229	4-40 x 3/8" Button-Head Screws	2.00
A-6230	Shim Assortment - 3/32", 3/16", 1/4", 1/2"	2.50
A-6232	2-56 x 1/4" Cap-Head Screws	2.50
A-6233	4-40 x 5/8" Flat-Head Screws	2.50
A-6234	4-40 x 1/4" Button-Head Screws	2.50
A-6235	Kingpin/Hinge Pin Screws (4WD)	4.00
A-6302	5-40 Steel Locking Nuts	1.25
A-6303	10-32 Nylon Locking Nuts (4ea. Nylon & Steel)	1.50
A-6305	4-40 Locking Nuts - Low Profile	3.50
A-6350	Washer Assortment (Pivot Ball, #4, 1/8")	2.50
A-6400	3/32" Pins for U-Joint	1.25
A-6401	1/16" Pins for Wheels and Gear	1.25
A-6402	1/16" x 3/8" Pins - Front U-Joint (4WD)	2.00

