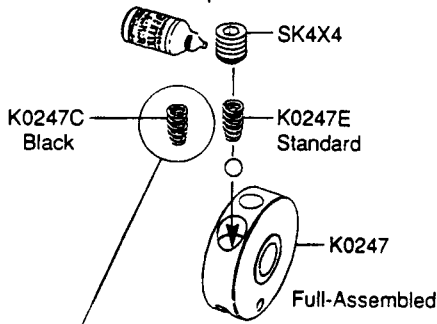


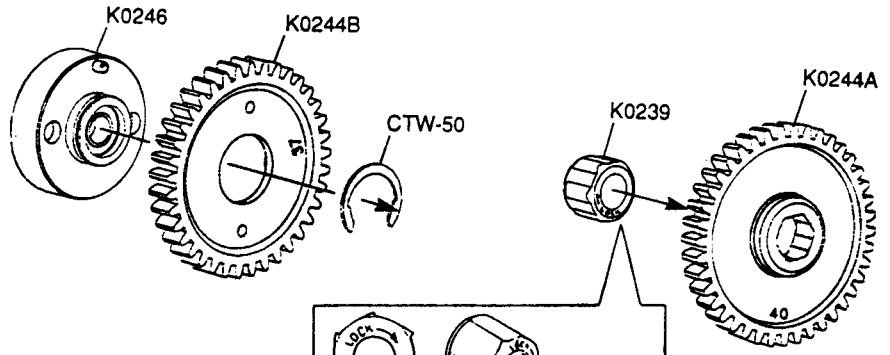
# K0240 2-Speed Gear Set



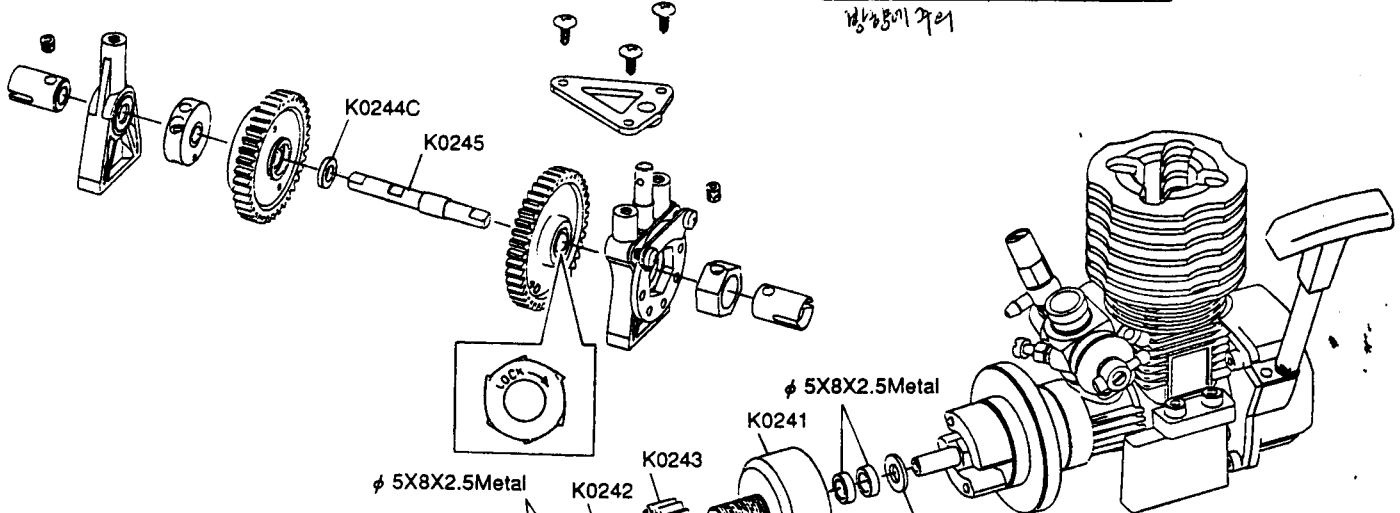
스크류 고정제를 바른다.  
Screw Lock Liquid



It is used in the case of the high power engine (Novarossi CX12, etc)  
하이파워엔진일 경우 Black 스톱킹으로 교체



Be careful in the rotation direction of K0239 One-Way Clutch Bearing.  
방향을 주의



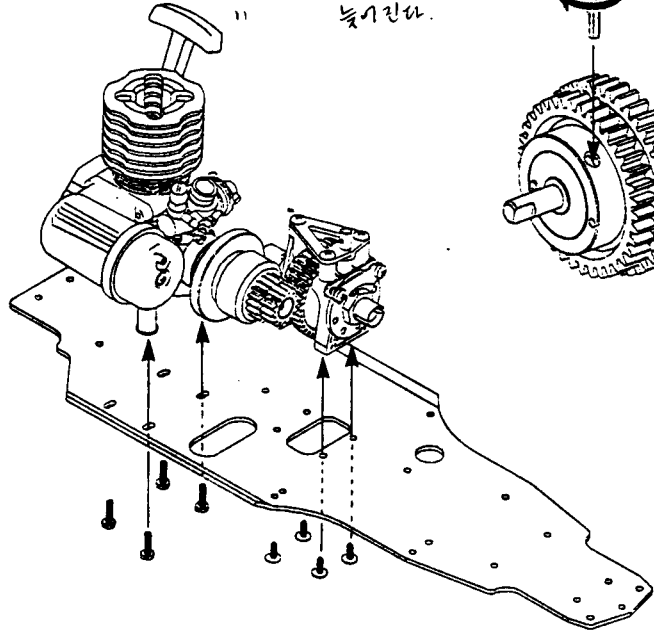
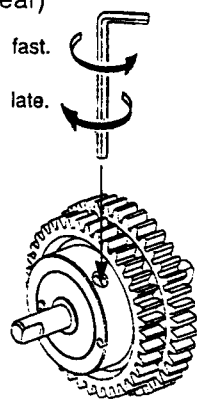
OPTION (선택)  
C0602  
φ 5X8X2.5 Bearing  
(4pcs.)

When rotation isn't smooth by using two φ 5X8X2.5 Metal,  
~~φ 5X8X2.5 Metal is reduced in one and used~~  
회전 방향이 부드럽지 않을 경우 2개 φ 5X8X2.5 Metal 대신 1개 φ 5X8X2.5 ball bearing 사용 권장

### (Adjustment of 2-Speed Gear)

Shift timing of 2nd. Gear becomes fast.  
2단 변속 타이밍이 빨라진다.

Shift timing of 2nd. Gear becomes late.  
" 늦어진다.



### K0240 2 Speed Gear Set Parts List

No,	Description
K0240	2 Speed Gear Set
K0239	One-Way Clutch Bearing
K0241	Clutch Bell
K0242	1st. Pinion Gear 15T
K0243	2nd. Pinion Gear 18T
K0244	Spur Gear Set
K0245	Senter Shaft
K0246	2nd. Gear Housing
K0247	Changing Drive Disk
C0602	φ 5X8X2.5 Bearing
C0114	Washer Set