

SERPENT

950R

1:8 SCALE 4WD GAS ON-ROAD COMPETITION



Reference Guide



SERPENT 950R

Introduction

Parts list and Exploded views

The parts list and the exploded views for the Serpent 950R are separate from the Instruction manual. The exploded views show all the parts for a particular assembly step, together with the Serpent part number. In the parts list at the back of this booklet you will find with the part number the name of the part. Besides all the Serpent 950R parts as used in this car kit, you will also find in the part list all the optional parts for the Serpent 950R, as well as a listing of general items like fasteners and promotional items.

Serpent will regularly update the Serpent 950R parts list and will make it available on the Serpent 950R product page on myTSN, check under 'Downloads'. This product page can be accessed directly at the following address:

www.myTSN.com/Serpent950R

Make sure to check out the Serpent 950R product page on myTSN frequently. All information about your car can be found here: publications, news items, set-ups, FAQ's, images, downloads, video's and interesting forums in several languages. MyTSN provides you with an enormous amount of interesting and often valuable information about the Serpent 950R, information provided by Serpent, its factory and team drivers, and experienced users from around the world. Often this information is even available in several languages! If you're not a member of myTSN.com yet, sign up today and experience why Serpent excels not only on the track, but also on the Internet.

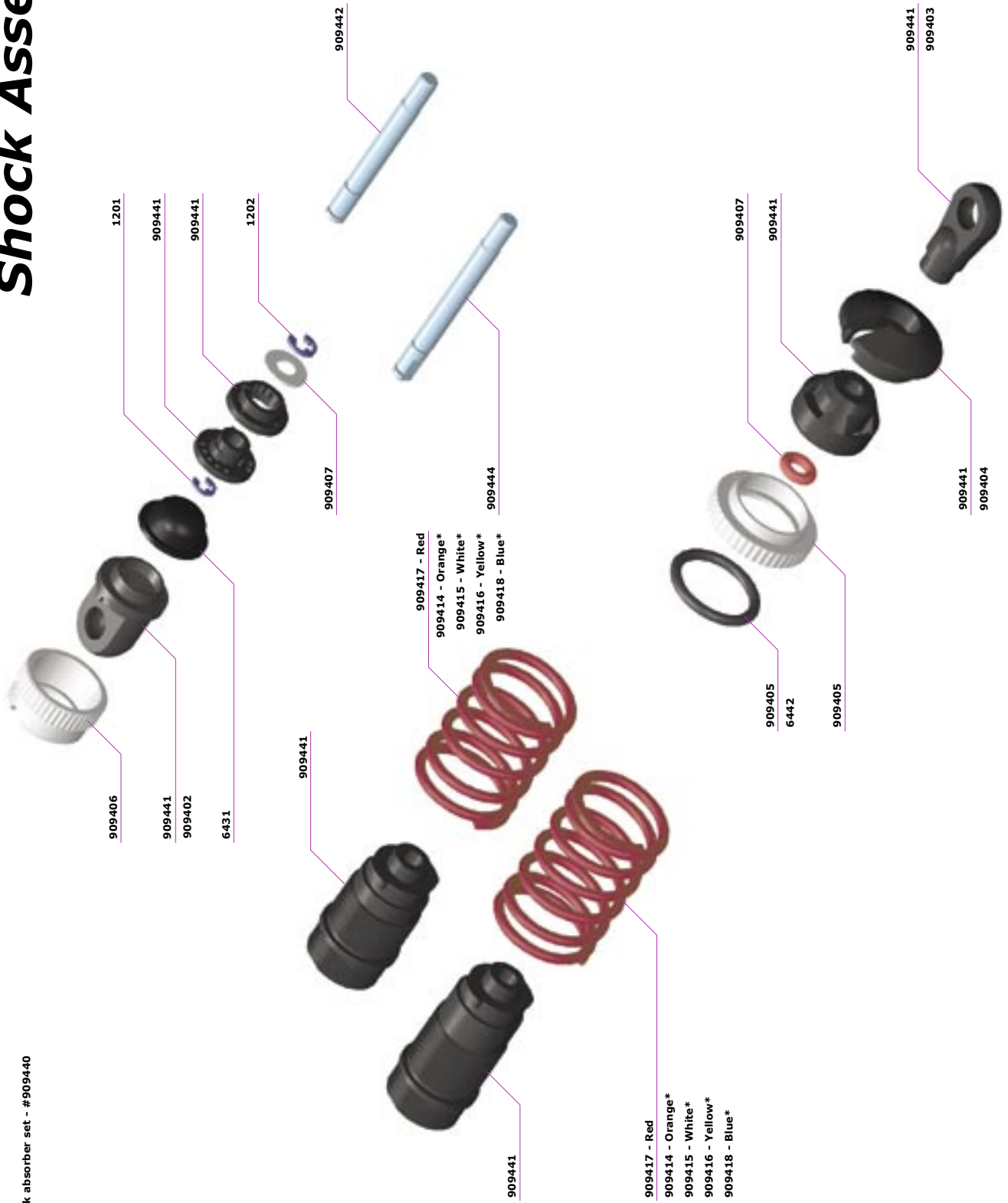
Contents

	Description	Page
1.	Shock Assembly	3
2.	Front Assembly	4
3.	Rear Assembly	5
4.	Radio Plate Assembly	6
5.	Radio Plate Mounting	7
6.	Gearbox Assembly	8
7.	Centax Assembly	8
8.	Final Assembly	9
9.	Parts List	10

PERFORMANCE THROUGH EVOLUTION

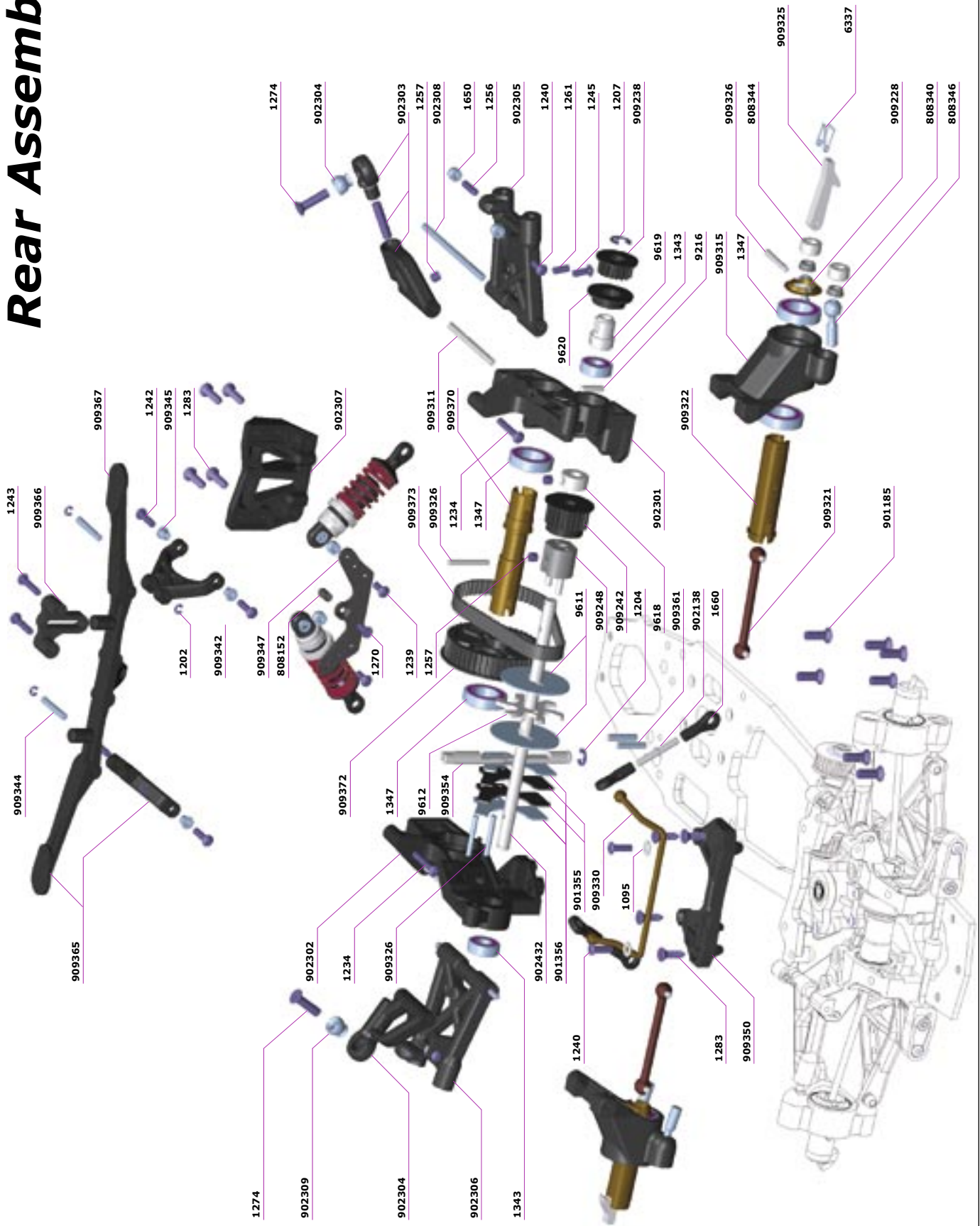
Shock Assembly

Complete Shock absorber set - #909440

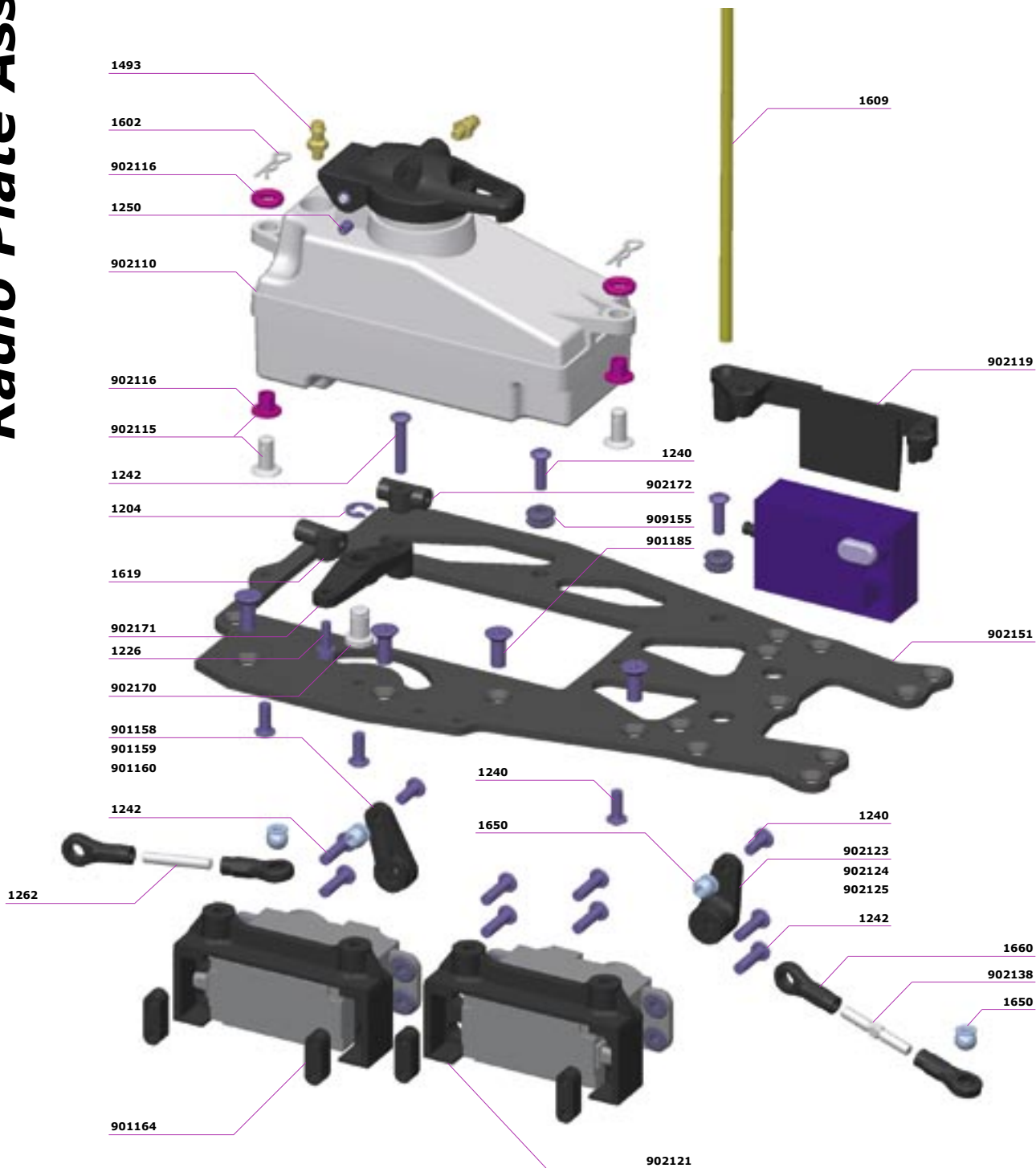


* - Optional

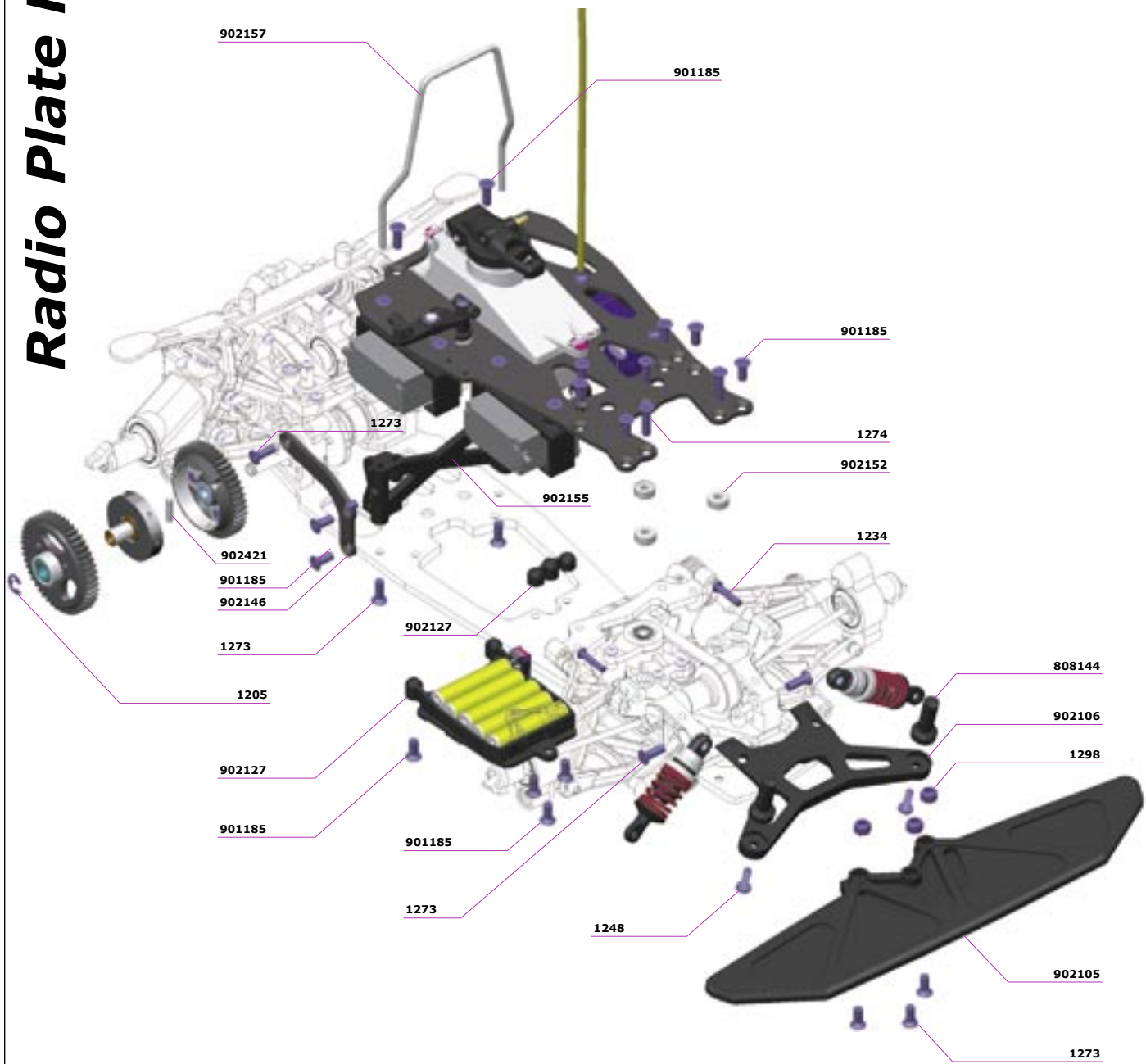
Rear Assembly



Radio Plate Assembly



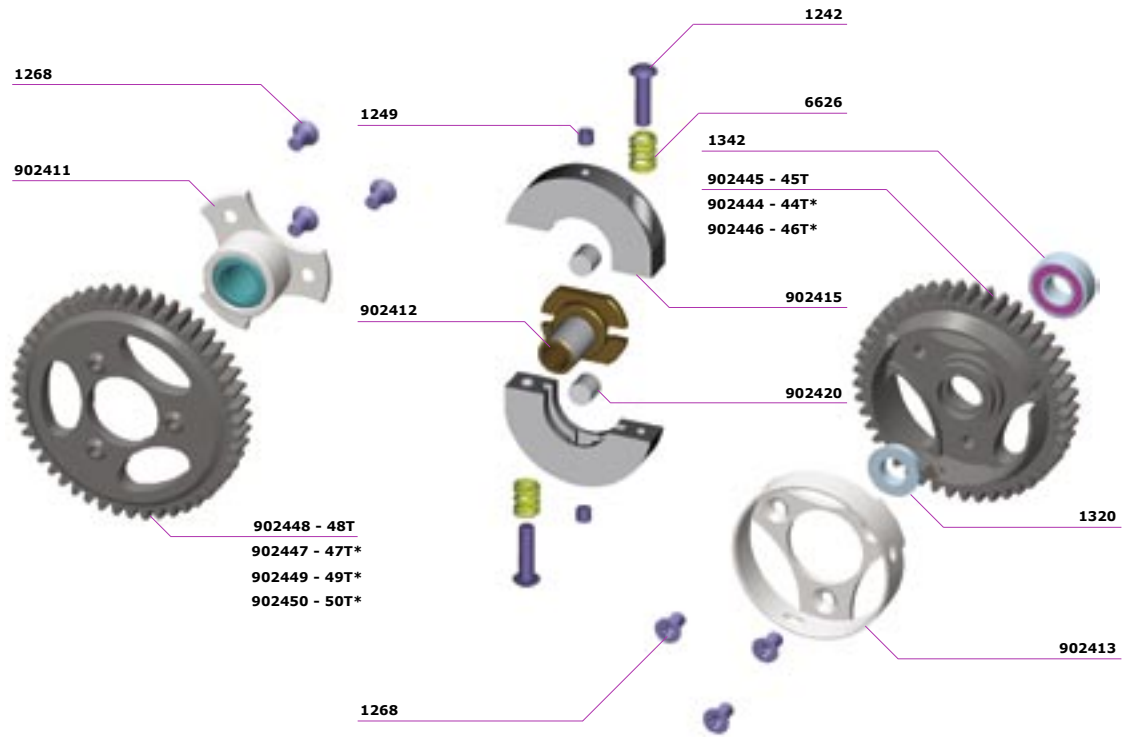
Radio Plate Mounting



Gearbox Assembly

2 Speed gearbox LC (no shaft incl.) - #902410

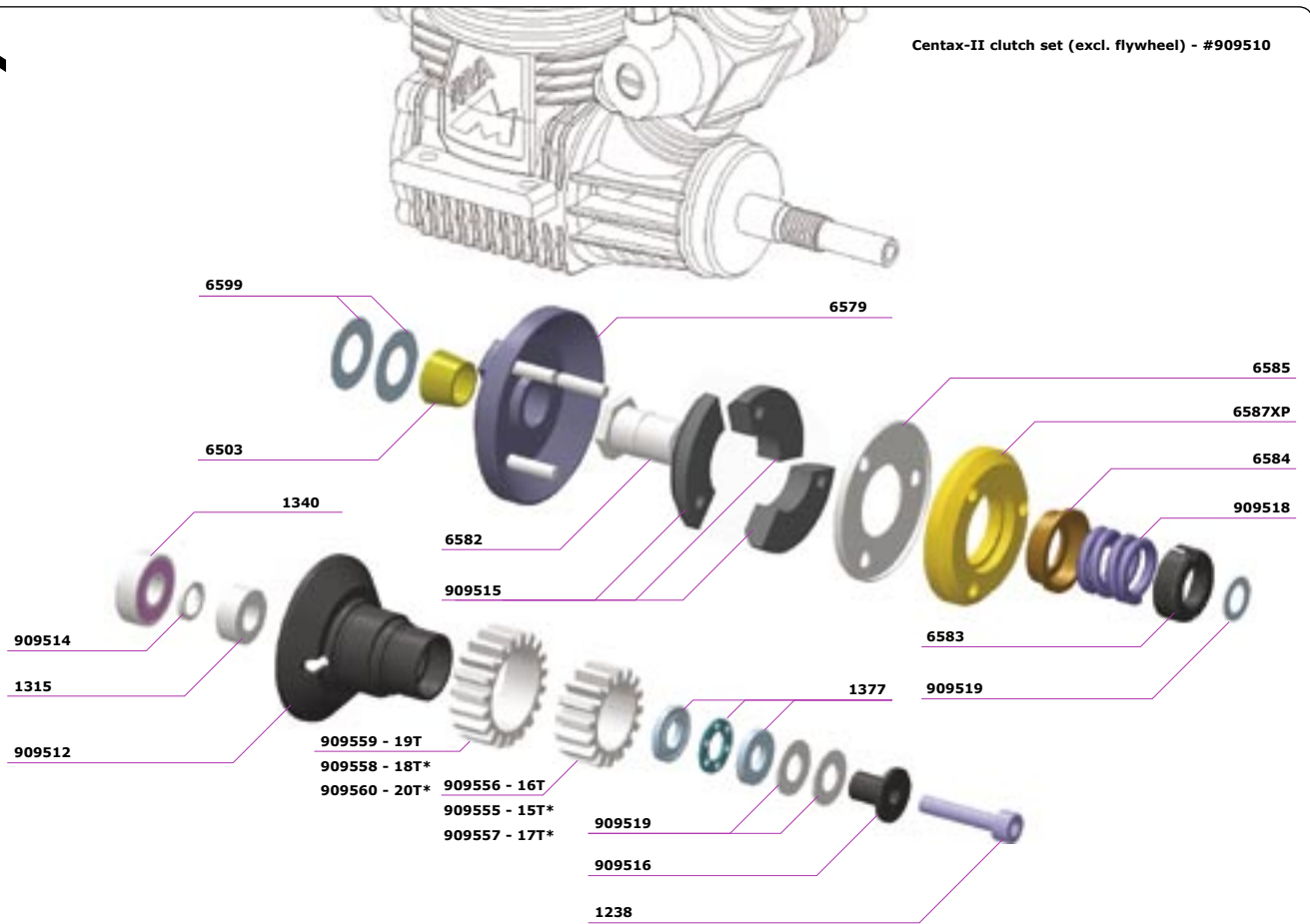
2 Speed shaft 950 - #902430



* - Optional

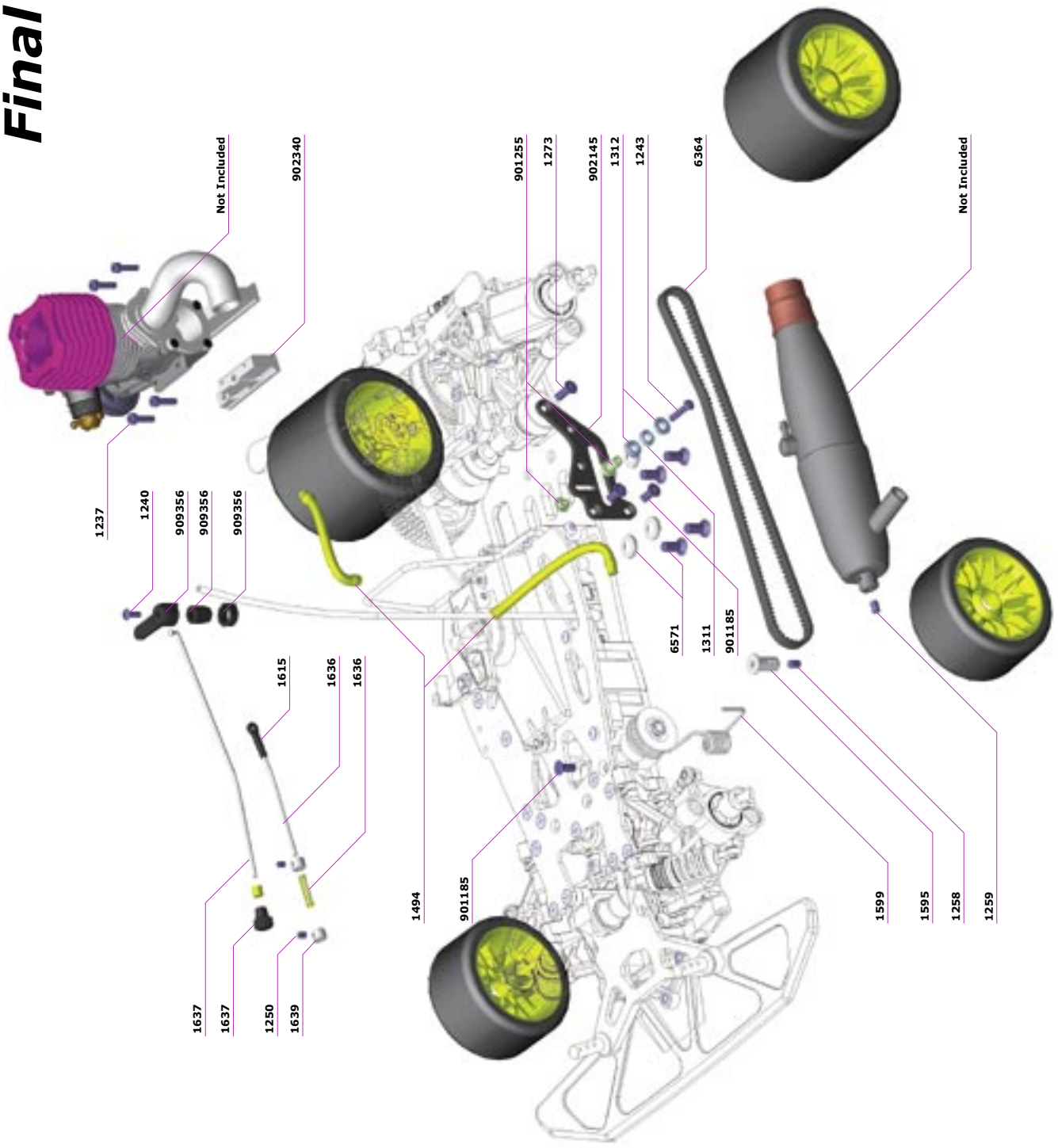
Centax Assembly

Centax-II clutch set (excl. flywheel) - #909510



* - Optional

Final Assembly



Parts List - Serpent 950R

To ensure that you have the most up to date parts list you can download the latest version from the internet by simply typing in the following URL and selecting the file from the 'downloads' section.

www.myTSN.com/Serpent950R

ART No. DESCRIPTION

902004 Serpent 950-R 1/8 4WD

Manual & Decals

902193 Instructions & set-up 950-R
902194 Reference-guide 950-R
902195 Decal-sheet black/white

Radio Installation

902119 Mounting bracket receiver
902127 Battery-case and holder
902121 Mounting bracket steering servo
901164 Servo mounting blocks
902123 Steering-servo lever 23T
902124 Steering-servo lever 24T
902125 Steering-servo lever 25T
902170 Shaft throttle-brake lever
902171 Throttle brake-lever
902172 Throttle slide part
901158 Servo-lever 23T
901159 Servo-lever 24T
901160 Servo-lever 25T
808338 Linkage-set M3x20 (2)
902138 Rod threaded L+R (2)
1650 Balls 6mm/setscrews hex(4)
1660 Ball-joints 6mm (20)
1611 Servo lever 23T (2)
1612 Servo lever 25T (2)
1613 Servo lever 24T (2)
1636 Throttle linkage set
1637 Brake-linkage set
1619 Wire-guider nylon
1604 Antenna rods pink (2)

Servo saver and steering system

902128 Track-rod set (2)
902130 Servo-saver set 950
902131 Servo-saver nylon parts
902133 Servo-saver shaft inner
902134 Servo-saver shaft outer
902135 Servo-saver pre-tension nut
902136 Servo-saver spring

Fuel tank and parts

902110 Fueltank 125ccm with AFL-cap
902115 Mounting-pin tank + rubber cap (2)
902116 Cap rubber for mounting pin tank (2)
1602 Tank-clips small (10)
1431 Rubber tank seals (4)
1493 Pressure nipple
1494 Silicone tubing 50cm white
1495 Silicone tubing 50cm yellow
1496 Silicone tubing 50cm orange
1497 Silicone tubing 50cm green

Ball Bearings

1311 Ball bearing 5x8
1312 Ball bearing 5x8 flanged
1320 Ball bearing 6x10 flanged
1321 Ball bearing 6x10x3 (2)
1315 Ball bearing 5x10
1377 Thrustbearing 5X10
1340 Ball-bearing 5X13 HS Purple (2)
1342 Ball-bearing 6X13 HS Purple (2)
1343 Ball-bearing 6X15 HS Purple (2)
1346 Ball-bearing 12X18 HS Purple (2)
1347 Ball-bearing 12X21 HS Purple (2)

Shock Absorbers

909440 Shock-set 4-STEP KEY FR+RR (2)
909441 Shock-parts nylon 4-step (2)

909402 Pivot point top shockabsorber (2)
909403 Ball-joint short lower shockabsorber (4)
909405 Shock-adj nut alu + o-rings (4)
909406 Shock-cap-nut alu. (2)
909442 Pistons rod FR key hardened (2)
909444 Pistons rod RR key hardened (2)
6431 Membranes (4)
909407 O-ring set + washers
909404 Spring support washers (4)
909414 Spring-set D=1.5 L=27-22.7 orange (4)
909415 Spring-set D=1.5 L=27-22.7 white (4)
909416 Spring-set D=1.6 L=27-22.7 yellow (4)
909417 Spring-set D=1.7 L=27-22.7 red (4)
909418 Spring-set D=1.8 L=27-22.7 blue (4)

Serpent H-Q Shockabsorber oil

1670 Silicone shock-oil 20W
1674 Silicone shock-oil 25W
1671 Silicone shock-oil 30W
1675 Silicone shock-oil 35W
1672 Silicone shock-oil 40W
1676 Silicone shock-oil 45W
1673 Silicone shock-oil 50W

Chassis & Radio plate

902141 Chassisplate 5mm 7075 alu
902151 Radioplate carbon 2.5mm
902152 Spacer radioplate (3)
902145 Chassis stiffener carbon L
902146 Chassis stiffener carbon R
902155 Radioplate bracket
902157 Roll-bar chrome

Bodymounts

902106 Bodymount plate front
808144 Bodymount universal
909365 Rear body-support set
909366 T-bracket rear body support
808152 Centering bushing threaded
909342 Nylon arms short (2)
909344 Pivot pins bodymount upper (2)
909345 Pivot bushings rear bodymount (4)
1601 Body clips (10)

Front Section

902105 Bumper
902221 Bearing block front left
902222 Bearing block front right
902223 Cross-bracket front
909396 Bearing eccentric (2)
902225 Wishbones front upper left
902226 Wishbones front upper right
902227 Wishbones front lower left
902228 Wishbones front lower right
902229 Up-stop lever L + R
902231 Pivot inserts (8)
909211 Steeringblock left WOS
909212 Steeringblock right WOS
902232 Pivot pins front lower (2)
902233 Pivot pins front upper (2)
808214 Caster spacer set (2)
808340 Nylon cup 8.5mm
808344 Adj.nut alu M10 (4)
808346 Pivot balls steel 8.5mm (2)
801245 Anti-roll bar levers + exc.
909216 Anti-roll bar blade male
909217 Anti-roll bar blade female
9213 Pulley / flange 24T
9212 Inner driveshaft adaptors (2)
1089 Shim nylon adaptor FR 6.1x11x1 (4)
909220 Driveshafts front (2)
909222 Wheel-axles steel front (2)
909228 Wheel-shim conical (4)
909225 Front axle alu. with one ways
1065 O-ring for alu front axle (10)
9226 Lever alu quick-change (2)
6337 Spring quick change system
6361 Belt short 6mm

Middle Section

902250 Middle shaft bracket
902252 Middle shaft steel
909250 Pulley adaptor alu. (2)
909236 Pulley / flange 16T
909238 Pulley / flange 18T
909242 Pulley / flange 22T
909244 Pulley / flange 24T
909245 Pulley / flange 25T
6364 Drive- belt long 6mm
901255 Belt-tensioner shaft and nut
909248 Brake-pulley adaptor alu.

Rear Section

902307 Rear plate
902301 Bearingblock rear left
902302 Bearingblock rear right
902303 Wishbone rear upper left adj
902304 Wishbone rear upper right adj
902305 Wishbone rear lower left
902306 Wishbone rear lower right
909311 Pivot pin rear upper (2)
902308 Pivot pin rear lower 3.5mm (2)
909315 Up-right (1)
808312 Pivot ball 9mm with screws (2)
909321 Driveshaft rear short (2)
909322 Wheel-axles steel rear (2)
909325 Quick-change levers alu rear (2)
909326 Pins 2.5x21.8 (4)
909330 Rear anti-roll bar set 3mm
902138 Rod threaded L+R (2)
1095 Shims nylon rear anti-roll bar (2)
909347 Shocktower rear carbon
909228 Wheel-axle washers conical (4)
9619 Pulley adapter alu 19T

Brake-System

909350 Brake bracket
9612 Ventilated brake-disk
901356 Brake-plates steel (3)
9611 Steel brake disks (2)
901355 Brake pads black (4)
909354 Disk brake cam alu hard anodised
909356 Brake-cam / spring-set
909360 Support pins brake 2.5x20 (2)
909361 Chassis/brake positioning pins 3x16 (2)
9618 Alu.collar brake pulley
909326 Pins 2.5x21.8 (4)

Transmission

909370 Solid axle with 50T pulley
909372 Pulley 50T
909373 Kevlar drive-belt 8mm

2-Speed Gearbox

902410 2-speed gearbox LC (no shaft incl)
902430 2-speed axle 4WD 950
902416 2-speed clutch shoes set LC
902444 2-speed gear 44T (2ND) LC
902445 2-speed gear 45T (2ND) LC
902446 2-speed gear 46T (2ND) LC
902447 2-speed gear 47T (1ST) LC
902448 2-speed gear 48T (1ST) LC
902449 2-speed gear 49T (1ST) LC
6626 Springs / screws 2-speed
902411 Drive-flange alu with owb LC
902413 Clutch bell alu LC
902412 Adaptor 2-speed LC
902420 Needle steel 5X5 (2)
902421 Needle 3x13.8 (4)

Clutch System

909510 Centax II clutch-set (excl. Flywheel)
909512 Centax II clutch-housing universal
909555 Centax gear-pinion alu. 15T
909556 Centax gear-pinion alu. 16T
909557 Centax gear-pinion alu. 17T
909558 Centax gear-pinion alu. 18T
909559 Centax gear-pinion alu. 19T

myTSN.com □□□

www.myTSN.com/Serpent950R

**SERPENT
MOTORSPORT**

P.O. Box 180, 2100 AD Heemstede
The Netherlands, Europe.
Tel: (31) 23 529 2068
Fax: (31) 23 528 4950
E-mail: info@serpent.com

Serpent USA, Inc.
West Park Center,
2830 NW 79th Avenue,
Miami, Florida 33122, USA.
Tel: (305) 639 9665
Fax: (305) 639 9658
E-mail: info@serpent-usa.com

PERFORMANCE THROUGH EVOLUTION