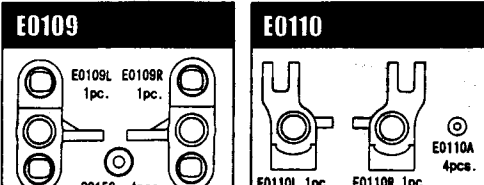
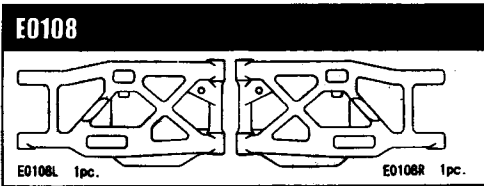
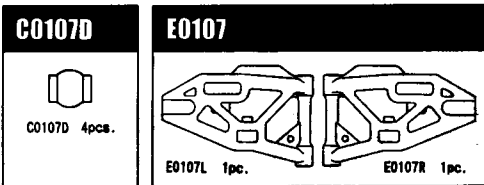
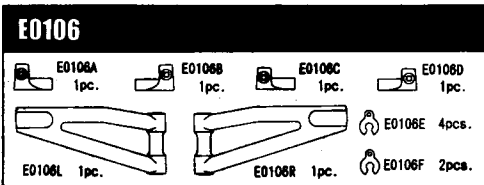
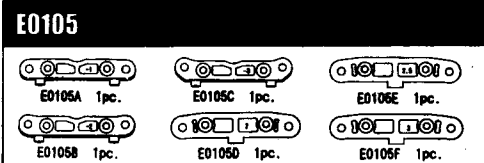
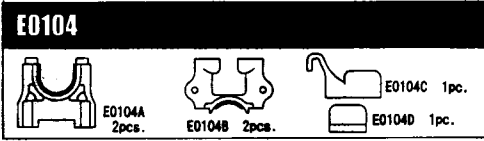
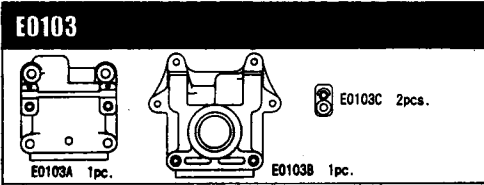
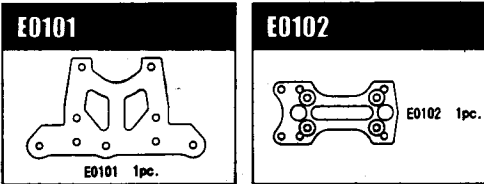
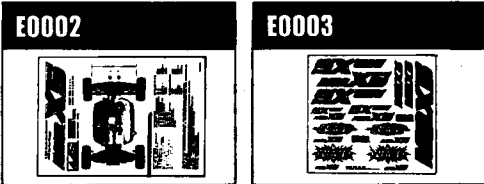
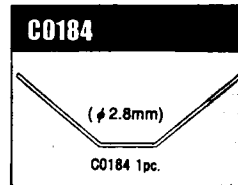
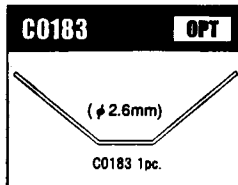
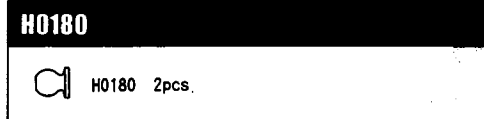
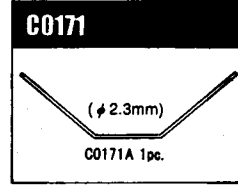
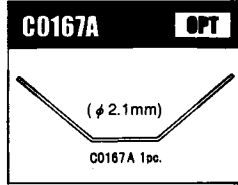
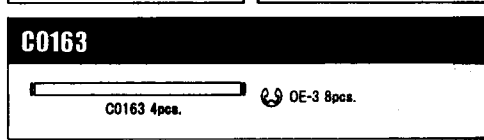
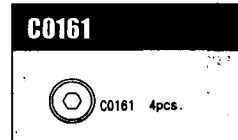
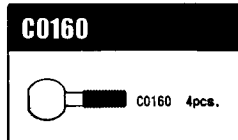
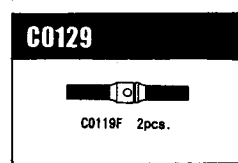
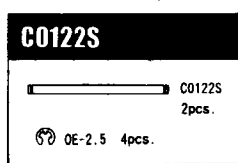
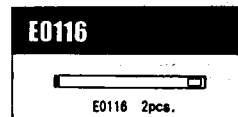
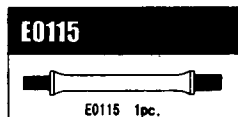
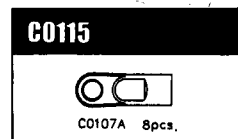
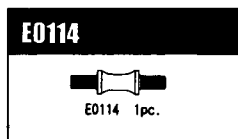
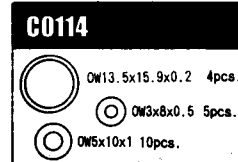
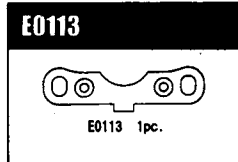
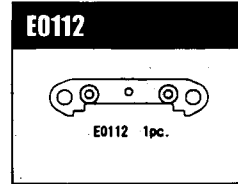
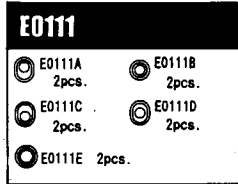


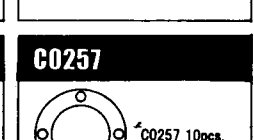
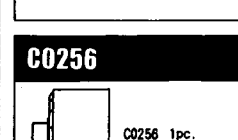
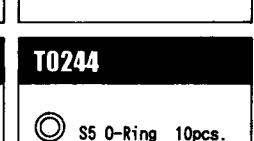
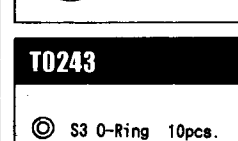
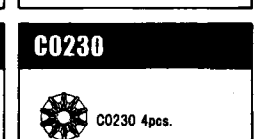
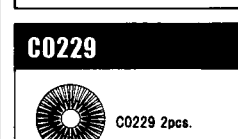
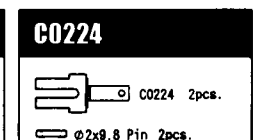
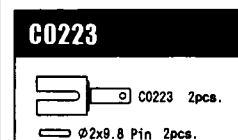
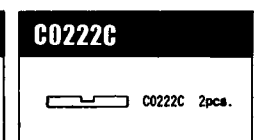
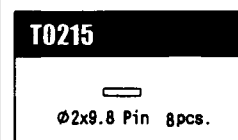
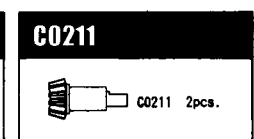
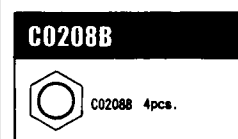
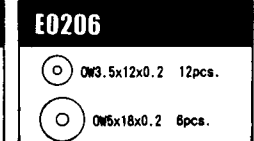
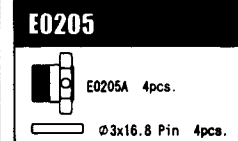
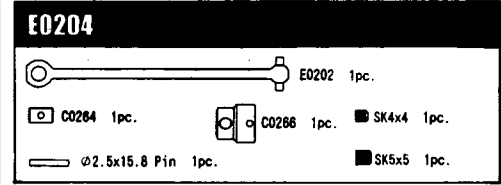
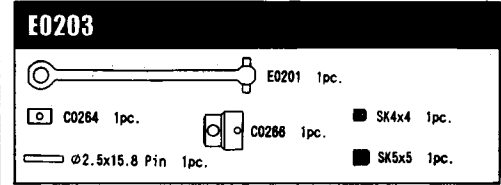
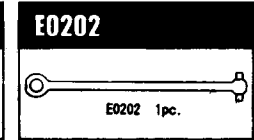
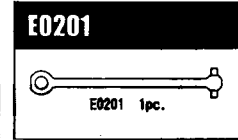
1/8th Scale Gas Powered 4WD Racing Buggy MBX-5 Parts List



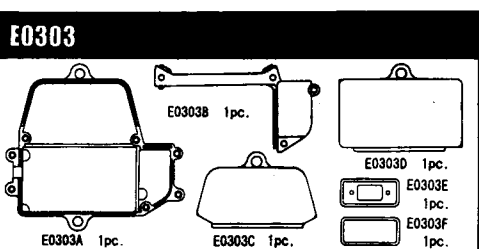
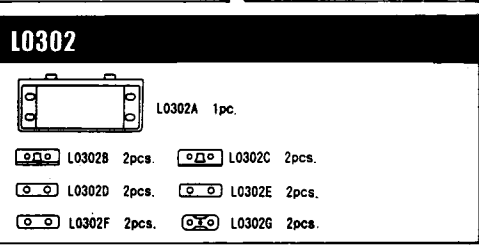
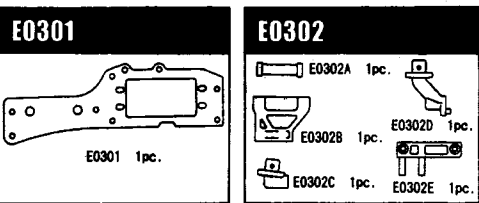
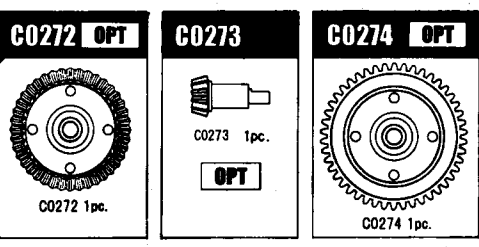
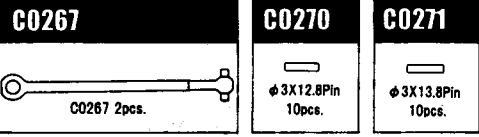
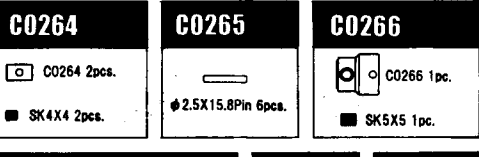
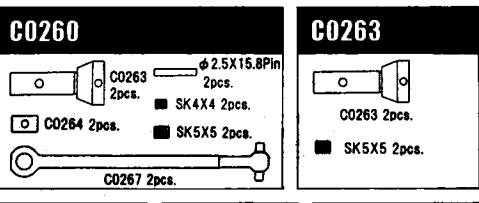
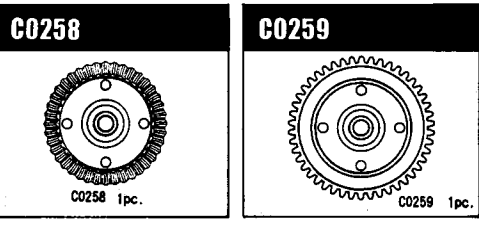
- E0002 INSTRUCTION MANUAL
- E0003 DECAL
- E0101 FRONT UPPER PLATE
- E0102 CENTER DIFF. MOUNT PLATE
- E0103 GEAR BOX
- E0104 CENTER DIFF. MOUNT
- E0105 LOWER ARM MOUNT
- E0106 FRONT UPPER ARM
- C0107D PIVOT BALL ϕ 7
- E0107 FRONT LOWER ARM
- E0108 REAR LOWER ARM
- E0109 FRONT UPRIGHT
- E0110 REAR UPRIGHT



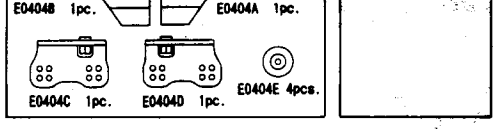
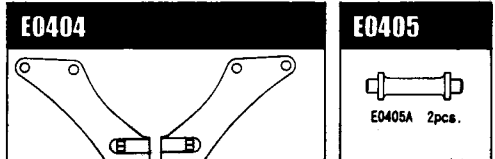
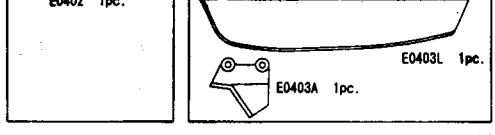
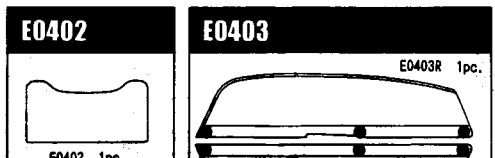
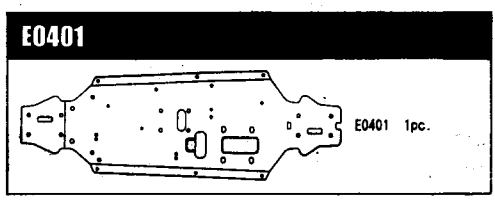
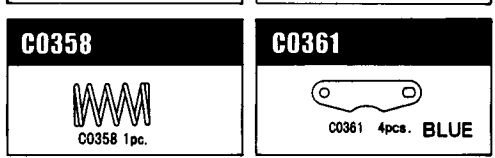
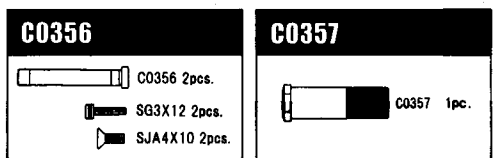
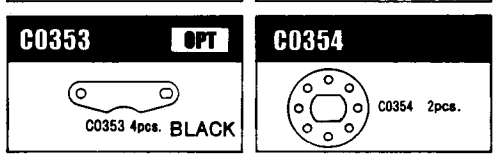
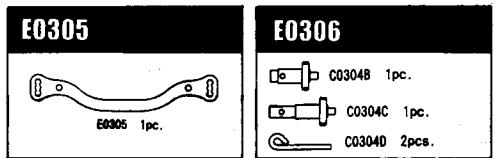
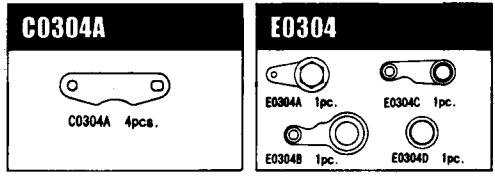
- E0111 BUSH SET
- E0112 FRONT LOWER ARM SUPPORT
- E0113 REAR LOWER ARM SUPPORT
- C0114 WASHER SET
- E0114 FRONT TENSION ROD
- C0115 UPPER ARM LINK
- E0115 REAR TENSION ROD
- E0116 FRONT UPPER ARM SHAFT
- C0122S LOWER SUS. SHAFT S
- C0129 FRONT UPPER ARM ROD
- C0160 PIVOT BALL
- C0161 ADJUST NUT
- C0163 LOWER SUS. SHAFT L
- C0167A FRONT ANTI-ROLL BAR ϕ 2.1mm
- C0171 FRONT ANTI-ROLL BAR ϕ 2.3mm
- H0180 REAR UPRIGHT BALL
- C0183 REAR ANTI-ROLL BAR ϕ 2.6mm
- C0184 REAR ANTI-ROLL BAR ϕ 2.8mm



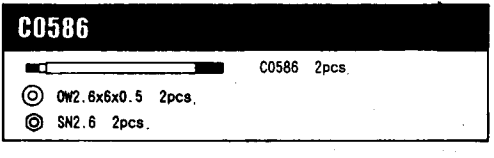
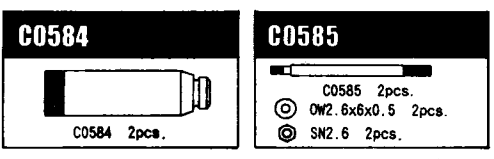
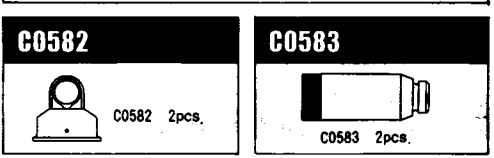
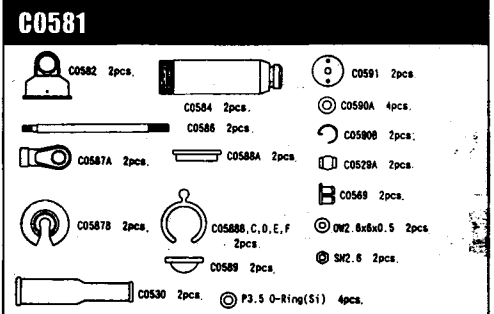
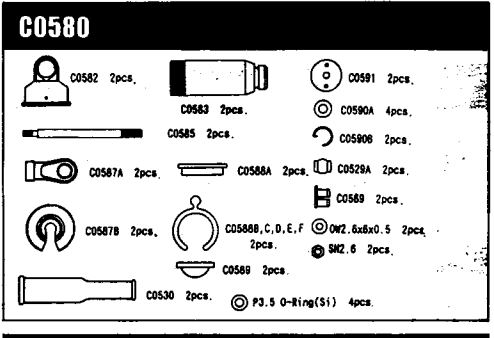
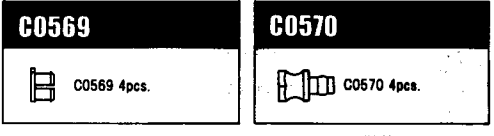
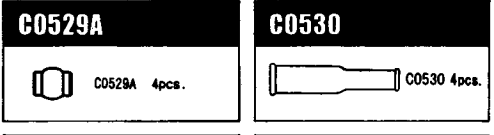
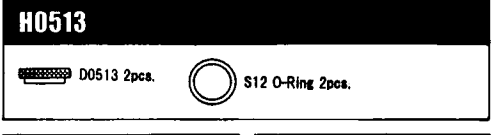
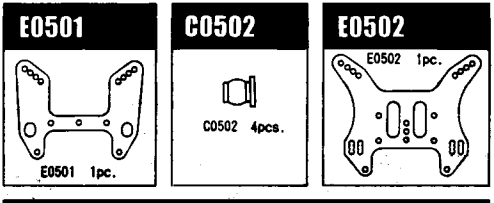
- E0201 CENTER DRIVE SHAFT S
- E0202 CENTER DRIVE SHAFT L
- E0203 CENTER UNIVERSAL JOINT S
- E0204 CENTER UNIVERSAL JOINT L
- E0205 WHEEL HUB
- E0206 DIFF. WASHER SET
- C0208B WHEEL NUT
- C0211 BEVEL GEAR
- T0215 JOINT PIN
- C0222C DIFF. SHAFT
- C0223 CUP JOINT F/R
- C0224 CUP JOINT CENTER
- C0229 DIFF. GEAR 18T
- C0230 DIFF. GEAR 10T
- T0243 S3 O-RING
- T0244 S5 O-RING
- C0256 DIFF. CASE
- C0257 GASKET FOR DIFF.



- C0258 CONICAL GEAR
- C0259 SPUR GEAR 46T
- C0260 F/R UNIVERSAL JOINT SET
- C0263 F/R AXLE SHAFT
- C0264 JOINT SHAFT
- C0265 JOINT PIN (FOR C0263/C0266)
- C0266 JOINT CUP
- C0267 F/R DRIVE SHAFT
- C0270 JOINT PIN (FOR E0201/E0202)
- C0271 JOINT PIN (FOR C0267)
- C0272 CONICAL GEAR 38T
- C0273 BEVEL GEAR (FOR C0272)
- C0274 SPUR GEAR 44T
- E0301 RADIO PLATE
- E0302 RADIO PLATE MOUNT
- L0302 SERVO MOUNT PARTS
- E0303 RADIO BOX

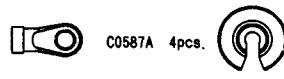
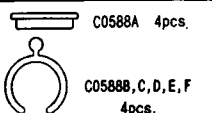

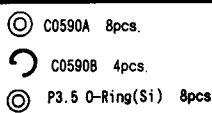
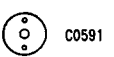
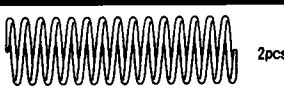

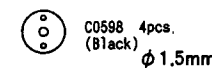

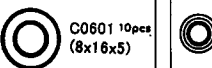


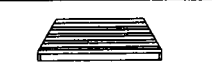

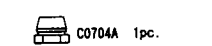



- C0304A BRAKE PLATE
- E0304 SERVO SAVER ARM
- E0305 SERVO SAVER PLATE
- E0306 BRAKE CAM
- C0353 BRAKE PAD BLACK
- C0354 BRAKE DISK
- C0356 SERVO SAVER SHAFT
- C0357 SERVO SAVER PIPE
- C0358 SERVO SAVER SPRING
- C0361 BRAKE PAD BLUE
- E0401 CHASSIS
- E0402 FRONT BUMPER
- E0403 STONE GUARD
- E0404 WING STAY
- E0405 WING STAY BRACE



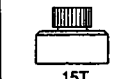


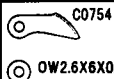
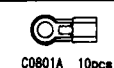
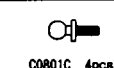
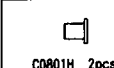
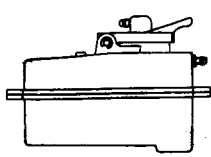
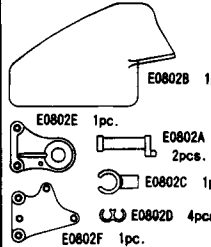

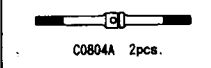

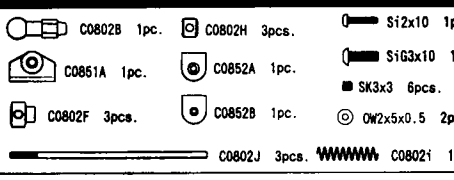
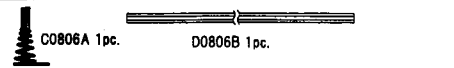

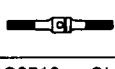
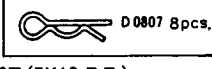


- E0501 FRONT DAMPER STAY
- C0502 PIVOT BALL
- E0502 REAR DAMPER STAY
- H0513 SPRING ADJUSTER
- C0529A LINK BALL
- C0530 DUST RUBBER
- C0569 DAMPER CAP BUSH
- C0570 STEEL DAMPER MOUNT
- C0580 FRONT DAMPER SET
- C0581 REAR DAMPER SET
- C0582 DAMPER CAP
- C0583 FRONT DAMPER CASE
- C0584 REAR DAMPER CASE
- C0585 FRONT DAMPER SHAFT
- C0586 REAR DAMPER SHAFT

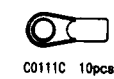


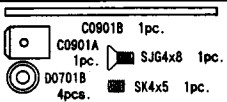


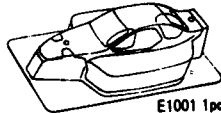
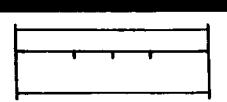
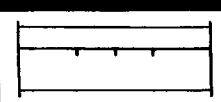


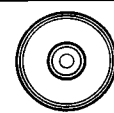


1/8th Scale Gas Powered 4WD Racing Buggy MBX-5 Parts List

C0587  C0587A 4pcs. C0587B 4pcs.		
C0588  C0588A 4pcs. C0588B, C, D, E, F 4pcs.	C0589  C0589 8pcs.	
C0590  C0590A 8pcs. C0590B 4pcs. P3.5 O-Ring(Si) 8pcs.	C0591 OPT  C0591 4pcs. φ 1.4mm	
C0592 C0593 C0594  2pcs. C0592 OPT C0594 OPT		
C0595 C0596 C0597  2pcs. C0595 OPT C0597 OPT		
C0598  C0598 4pcs. (Black) φ 1.5mm	C0601  C0601 2pcs. (8x16x5)	
C0601/1  C0601 10pcs. (8x16x5)	C0603  C0603 (5x10) 2pcs.	C0605  C0605 (6x10) 2pcs.
E0701  E0701 2pcs.	E0702  E0702 1pc.	
C0704  C0704A 1pc.	C0708  (φ 1.0mm) C0708 3pcs.	

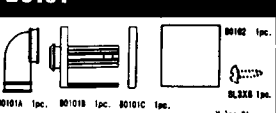
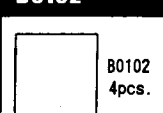
- C0587 DAMPER END PARTS
- C0588 DAMPER SPACER
- C0589 DIAPHRAGM
- C0590 OIL SEAL SET
- C0591 DAMPER PISTON φ 1.4mm
- C0592 FRONT SPRING 15.5T LIGHT BLUE
- C0593 FRONT SPRING 15T GRAY
- C0594 FRONT SPRING 14.5T WHITE
- C0595 REAR SPRING 18.5T LIGHT BLUE
- C0596 REAR SPRING 18T GRAY
- C0597 REAR SPRING 17.5T WHITE
- C0598 DAMPER PISTON φ 1.5mm
- C0601 BEARING (8X16X5)
- C0601/1 BEARING (8X16X5) 10pcs. SET
- C0603 BEARING FOR CLUTCH (5X10X4)
- C0605 BEARING (6X10X3)
- E0701 ENGINE MOUNT
- E0702 FLY WHEEL
- C0704 ENGINE NUT (SG)
- C0708 3P CLUTCH SPRING φ 1.0mm

C0719  13T	C0720 OPT  14T	C0721 OPT  15T
C0751 OPT  (φ 0.9mm) C0751 3pcs.	C0753 OPT  (φ 1.1mm) C0753 3pcs.	C0754  C0754 3pcs. OW2.6X6X0.5 3pcs.
C0801A  C0801A 10pcs.	C0801C  C0801C 4pcs.	C0801H  C0801H 2pcs.
E0801  E0801 1pc.	E0802  E0802B 1pc. E0802E 1pc. E0802A 2pcs. E0802C 1pc. E0802D 4pcs. E0802F 1pc.	
E0803  E0803 2pcs.	C0804A  C0804A 2pcs.	
E0804  E0804 4pcs.		
E0805  C0802B 1pc. C0802H 3pcs. S12x10 1pc. C0851A 1pc. C0852A 1pc. S1G3x10 1pc. C0802F 3pcs. C0852B 1pc. SK3x3 6pcs. OW2x5x0.5 2pcs. C0802J 3pcs. C0802I 1pc.		
C0806  C0806A 1pc. D0806B 1pc.		
D0806  D0806B 2pcs.		
E0806  E0806A 1pc.	D0807  D0807 8pcs.	


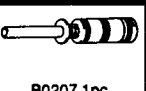

- C0719 CLUTCH BELL 13T (5X10 B.B.)
- C0720 CLUTCH BELL 14T (5X10 B.B.)
- C0721 CLUTCH BELL 15T (5X10 B.B.)
- C0751 3P CLUTCH SPRING φ 0.9mm
- C0753 3P CLUTCH SPRING φ 1.1mm
- C0754 AL. CLUTCH SHOE
- C0801A BALL LINK
- C0801C PIVOT BALL
- C0801H PIVOT BUSH
- E0801 FUEL TANK
- E0802 FUEL TANK MOUNT
- E0803 FUEL TANK BUSH
- C0804A TURN BUCKLE TIE ROD 51mm
- E0804 REAR UPPER ARM LINK
- E0805 BRAKE LINKAGE
- C0806 ANTENNA PIPE
- D0806 ANTENNA PIPE
- E0806 TURN BUCKLE TIE ROD 35mm
- D0807 BODY PIN 15/21

H0855  C0111C 10pcs.	H0856  C0111E 4pcs.	H0858  H0858 10pcs.
C0901  C0901B 1pc. C0901A 1pc. SJG4x8 1pc. D0701B 4pcs. SK4x5 1pc.		C0903 OPT  C0903 2pcs.
C0950 OPT  C0950 1pc.	E1001  E1001 1pc.	
C1010  C1010 WHITE 1pc.	C1011 OPT  C1011 YELLOW 1pc.	
C1129 OPT  4pcs.	C1130 OPT  4pcs.	
C1131  C1131 WHITE 4pcs.	C1132 OPT  C1132 YELLOW 4pcs.	
P0218 OPT  STICKER FLAG & FLAME		

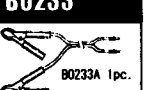


- H0855 BALL LINK φ 6mm (C0111C)
- H0856 LINK BALL FOR STABILIZER (C0111E)
- H0858 BALL LINK φ 6mm (S)
- C0901 MUFFLER STAY
- C0903 MANIFOLD SPRING
- C0950 MANIFOLD
- E1001 BODY
- C1010 NYLON WING WHITE
- C1011 NYLON WING YELLOW
- C1129 INNER FOAM S
- C1130 INNER FOAM L
- C1131 DISH WHEEL WHITE (4pcs.)
- C1132 DISH WHEEL YELLOW (4pcs.)
- P0218 STICKER FLAG & FLAME

B0101  B0101 1pc. B0102 1pc. B0103 1pc. B0104 1pc. Nylon Strap 1pc.	B0102  B0102 4pcs.
--	--

B0103  B0103 1pc.	B0104  B0104 1pc.	B0115  B0115 1pc.
--	---	---

B0203  B0203 1pc.	B0207  B0207 1pc.	B0208  B0208 1pc.
--	---	---



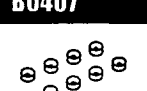
B0209  B0209 1pc.	B0211 B0212  1pc.	B0230  1pc.
--	---	---



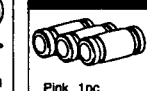
B0233  B0233A 1pc. conector 2pcs.	B0301  B0301 1pc.	B0303  B0303 1pc.
---	---	---

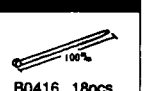
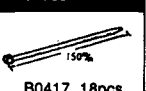

B0306  B0306 1pc.	B0308  B0308 1pc.
---	--

B0310 B0311 B0312 B0313 B0314 B0315	B0316 B0317 B0318 B0319 B0320 B0321	B0322 B0323 B0324 B0325 B0326 B0327	B0328 
--	--	--	---

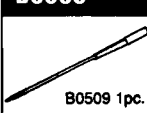

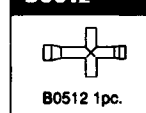
B0329  B0329 1pc.	B0330  B0330 1pc.
--	---

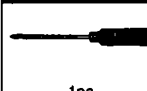
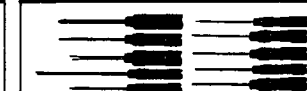
B0401  B0401 1pc.	B0406  B0406 2pcs.	B0407  B0407 15pcs.
--	--	---

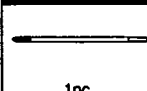
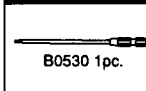
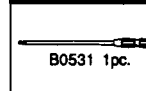
B0408  B0408 15pcs.	B0410 B0411 B0412 B0413  B0410 Pink 1pc. B0411 Green 1pc. B0412 Yellow 1pc. B0413 Gray 1pc.	B0414  Pink 1pc. Green 1pc. Yellow 1pc.
--	--	---

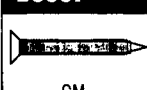
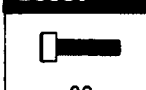

B0416  B0416 18pcs.	B0417  B0417 18pcs.	B0422  B0422 8pcs.
--	---	--


B0424  4pcs.	B0426  B0426 10pcs.	B0508  B0508 1pc.
---	---	---

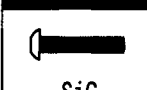

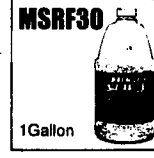
B0509  B0509 1pc.	B0510  B0510 1pc.	B0512  B0512 1pc.
---	---	---

B0519 ~  1pc.	B0529  B0529 10pcs.
---	---

B0519/1 ~  1pc.	B0530  B0530 1pc.	B0531  B0531 1pc.
---	---	---

B0637 ~  SM	B0661 ~  SG	B0670 ~  SK
---	---	---

B0712 ~  SN	B0722 B0724  OE	B0723  OW
---	---	---

B0730 ~  SIG	B0740 ~  SJG	MSRF30  1Gallon
---	---	--

OTHER OPTIONAL PARTS

- B0101 AIR FILTER SET (21 OFF ROAD)
- B0102 AIR FILTER (21 OFF-ROAD)
- B0103 FUEL FILTER L
- B0104 FUEL FILTER S
- B0115 FUEL PUMP 500ml
- B0203 QUICK BOOSTER
- B0207 POCKET BOOSTER
- B0208 DC ADAPTOR FOR POCKET BOOSTER
- B0209 BOOSTER CHARGER FOR AC 100V
- B0211 POWER PACK 900 W/FUTABA (3+2 6V)
- B0212 POWER PACK 900 W/SANWA-Z (3+2 6V)
- B0230 PRO STARTER BII
- B0233 BATTERY CODE FOR RII/BII
- B0301 LOCKFIRM LIQUID
- B0303 ENGINE MAINTENANCE OIL
- B0306 RAD-REZ SILICONE
- B0308 SUPER GREASE
- B0310 SUPER SILICONE #100
- B0311 SUPER SILICONE #150
- B0312 SUPER SILICONE #200
- B0313 SUPER SILICONE #250
- B0314 SUPER SILICONE #300
- B0315 SUPER SILICONE #350
- B0316 SUPER SILICONE #400
- B0317 SILICONE FOR DIFF. #10000
- B0318 SILICONE FOR DIFF. #30000
- B0319 SILICONE FOR DIFF. #50000
- B0320 SILICONE FOR DIFF. #100000
- B0321 SILICONE FOR DIFF. #3000
- B0322 SILICONE FOR DIFF. #5000
- B0323 SILICONE FOR DIFF. #7000
- B0324 SILICONE FOR DIFF. #1000
- B0325 SUPER SILICONE #500
- B0326 SUPER SILICONE #600
- B0327 SUPER SILICONE #700
- B0328 SUPER SILICONE #800
- B0329 AIR FILTER OIL
- B0330 SUPER JOINT GREASE
- B0401 SWITCH COVER
- B0406 BOTH SIDED ADHESIVE TAPE
- B0407 FLAT WASHER 3mm
- B0408 FLAT WASHER 4mm

- B0410 COLOR SILICONE PIPE PINK
- B0411 COLOR SILICONE PIPE GREEN
- B0412 COLOR SILICONE PIPE YELLOW
- B0413 COLOR SILICONE PIPE GRAY
- B0414 MUFFLER JOINT PIPE L
- B0416 COLOR STRAP SET 100mm
- B0417 COLOR STRAP SET 150mm
- B0422 BODY PIN
- B0424 PORT CAP (L+M)
- B0426 HEAD PROTECTOR PURPLE (15/21)
- B0508 UTILITY WRENCH
- B0509 SETTING DRIVER FOR ENGINE
- B0510 CAMBER GAUGE
- B0512 CROSS WRENCH
- B0519 (+) #2 SCREW DRIVER
- B0520 (+) #1 SCREW DRIVER
- B0521 (-) 1.0 SCREW DRIVER
- B0522 (-) 0.5 SCREW DRIVER
- B0523 1.5mm Hex. WRENCH
- B0524 2.0mm Hex. WRENCH
- B0525 2.5mm Hex. WRENCH
- B0526 3.0mm Hex. WRENCH
- B0527 2.0mm Ball-Hex. WRENCH
- B0528 2.5mm Ball-Hex. WRENCH
- B0529 PRO SPEC TOOLS SET
- B0519/1 SPARE TIP FOR (+) #2 SCREW DRIVER
- B0520/1 SPARE TIP FOR (+) #1 SCREW DRIVER
- B0521/1 SPARE TIP FOR (-) 1.0 SCREW DRIVER
- B0522/1 SPARE TIP FOR (-) 0.5 SCREW DRIVER
- B0523/1 SPARE TIP FOR 1.5mm Hex. WRENCH
- B0524/1 SPARE TIP FOR 2.0mm Hex. WRENCH
- B0525/1 SPARE TIP FOR 2.5mm Hex. WRENCH
- B0526/1 SPARE TIP FOR 3.0mm Hex. WRENCH
- B0527/1 SPARE TIP FOR 2.0mm Ball-Hex. WRENCH
- B0528/1 SPARE TIP FOR 2.5mm Ball-Hex. WRENCH
- B0530 2.0mm TIP FOR ELECTRIC DRIVER
- B0531 2.5mm TIP FOR ELECTRIC DRIVER
- B0637 SM3.5X30 F/H TAPPING SCREW
- B0638 SM3.5X40 F/H TAPPING SCREW
- B0661 SG3X23 CAP SCREW
- B0663 SG3X12 CAP SCREW
- B0666 SG3X20 CAP SCREW
- B0670 SK3X3 SET SCREW
- B0671 SK3X5 SET SCREW
- B0672 SK3X12 SET SCREW
- B0680 SK4X4 SET SCREW
- B0681 SK4X5 SET SCREW
- B0682 SK4X8 SET SCREW
- B0690 SK5X5 SET SCREW
- B0712 SN2.6 NYLON NUT
- B0713 SN3 NYLON NUT
- B0722 OE-2.5 E-RING
- B0723 OW3X8X0.5 WASHER
- B0724 OE-3 E-RING
- B0730 SIG3X8 B/H SCREW
- B0731 SIG3X10 B/H SCREW
- B0732 SIG3X12 B/H SCREW
- B0733 SIG3X14 B/H SCREW
- B0734 SIG3X16 B/H SCREW
- B0735 SIG3X18 B/H SCREW
- B0736 SIG3X6 B/H SCREW
- B07301 SIG3X23 B/H SCREW
- B07302 SIG3X28 B/H SCREW
- B0737 SIG3X20 B/H SCREW
- B0740 SJG3X8 F/H CAP SCREW
- B0741 SJG3X10 F/H CAP SCREW
- B0742 SJG3X6 F/H CAP SCREW
- B0743 SJG3X12 F/H CAP SCREW
- B0744 SJG3.5X12 F/H CAP SCREW
- B0745 SJG3.5X16 F/H CAP SCREW
- B0746 SJG4X8 F/H CAP SCREW
- B0747 SJG4X10 F/H CAP SCREW
- B0748 SJG4X15 F/H CAP SCREW
- MSRF30 MUGEN SEIKI RACING FUEL 30 (NITRO 30%/1 GALLON)

MUGEN SEIKI
株式会社 無限精機 〒274-0817 千葉県船橋市高根町1395
MUGEN SEIKI CO.,LTD.
1395 Takane-Cho, Funabashi, Chiba 274-0817, Japan